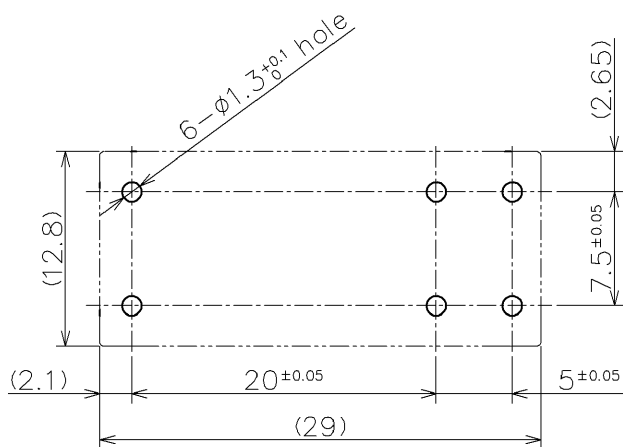
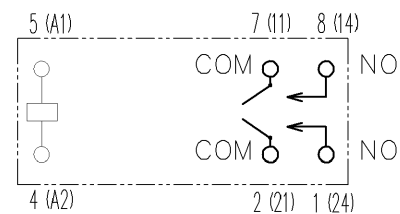


Outline Dimensions

* The dimensions of each terminal are the dimensions before pre-soldering.



PC Board Drilling Layout
(BOTTOM VIEW)



Internal Connection
(BOTTOM VIEW)

Scale : 2

			Product Name: RC SERIES RELAY	
			Type Number: RC2V-A-*	
Approved by	Y.Onishi	2023/1/16	Dim.: m m	Outside View
Checked by	T.Taki	2023/1/16	Drawing No.	
Drawn by	T.Matsumoto	2023/1/16	MA4-R00576B	