

## WindLGC Software

### Programming Software for IDEC SmartRelay

#### Key Features

- Function Block or Ladder programming
- Online Test features
- Program Simulation

#### Create

Create, simulate, test and save your program using drag and drop functions. Eight basic functions make it easy to create a simple switching program in just a matter of seconds, while 31 additional special functions make it just as uncomplicated to create complex programs. Choose function block diagrams or ladder programming; you can always convert from one to the other with the click of an icon.

#### Simulate

Offline program simulation (without the need for an actual SmartRelay) enables testing of the entire program from a PC.

#### Test

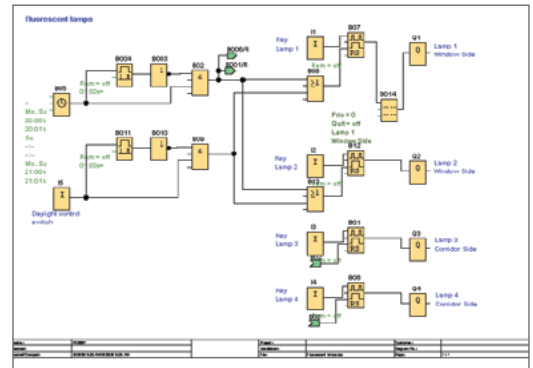
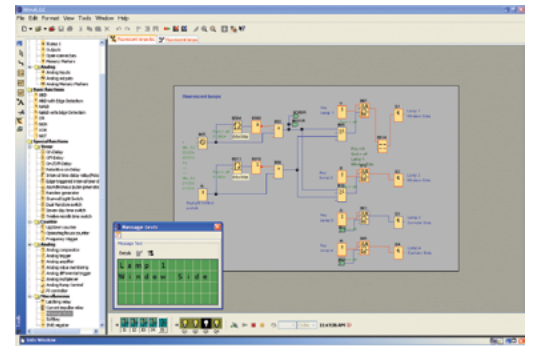
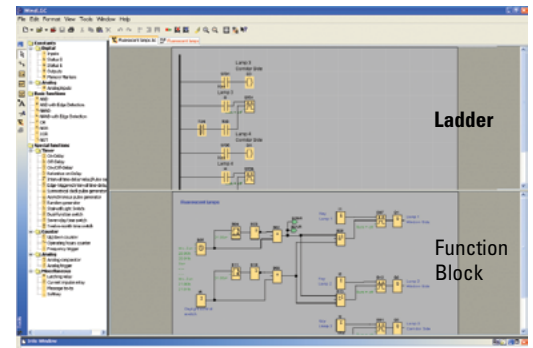
Once you verify your control program works in Simulation Mode, WindLGC allows you to directly monitor your IDEC SmartRelay during operation using an Online Test mode.

#### Document

You can create and save your WindLGC program as a PDF, BMP or JPG file. Professional documentation is included with all the necessary configuration information, such as comments and program settings.



Part Number	Description
FL9Y-LP1CDW	SmartRelay programming software



**Visit IDEC at [www.IDEC.com/smartrelay](http://www.IDEC.com/smartrelay) for additional information on FREE software upgrades, demo software, FAQs, manuals and brochures.**