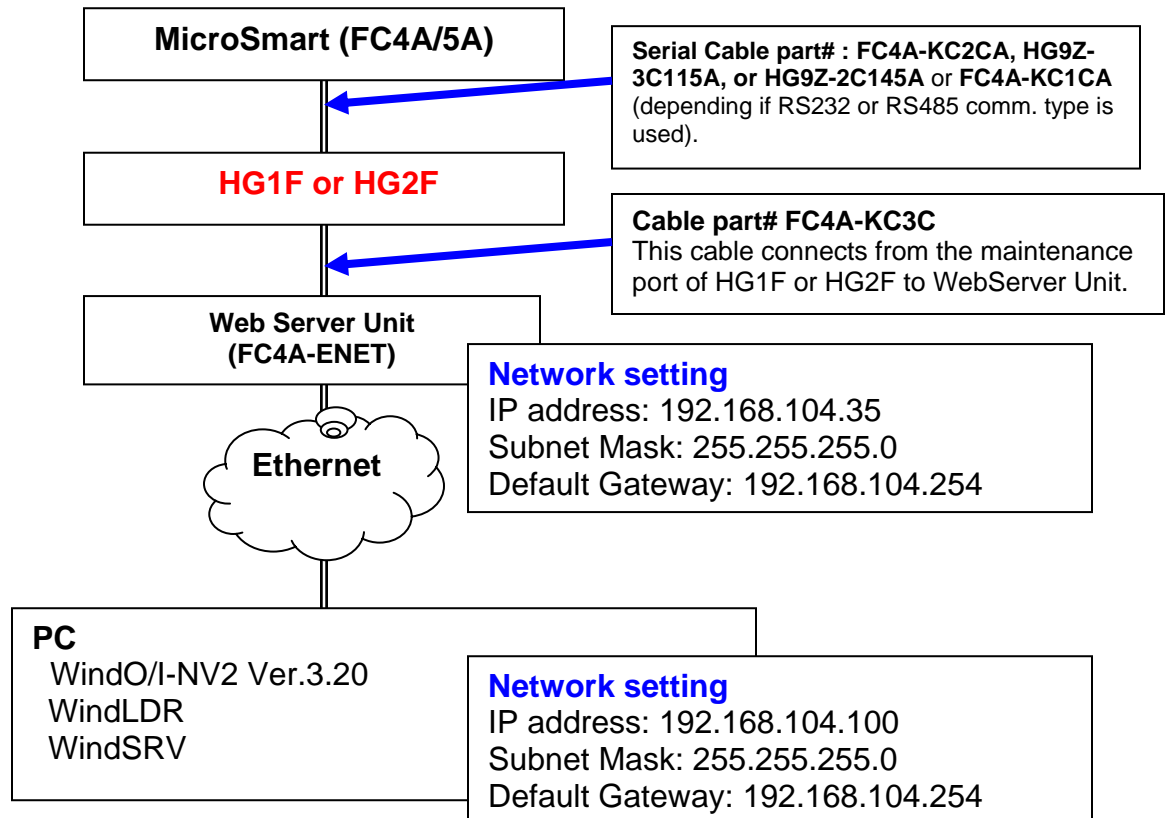


IDEC Web Server Unit with HG1F or HG2F
(Download/Upload/Monitor the Touchscreen or Microsmart Program via Ethernet)

Step 1: How to Configure the Web Server Unit (FC4A-ENET)

- 1) Decide which IP address will be assigned to the Web Server Unit.
For this example:

IP Address: 192.168.104.35
Subnet Mask: 255.255.255.0
Default Gateway: 192.168.104.254
- 2) Use the Quick Start Guide of Web Server Unit to configure the Web Server Unit. Make sure to follow steps 1 through 4 only. Then test the Web Server unit by monitoring the PLC with WindLDR in a PC.
- 3) Once the Web Server unit is configured correctly, then follow the setup according to the figure below.



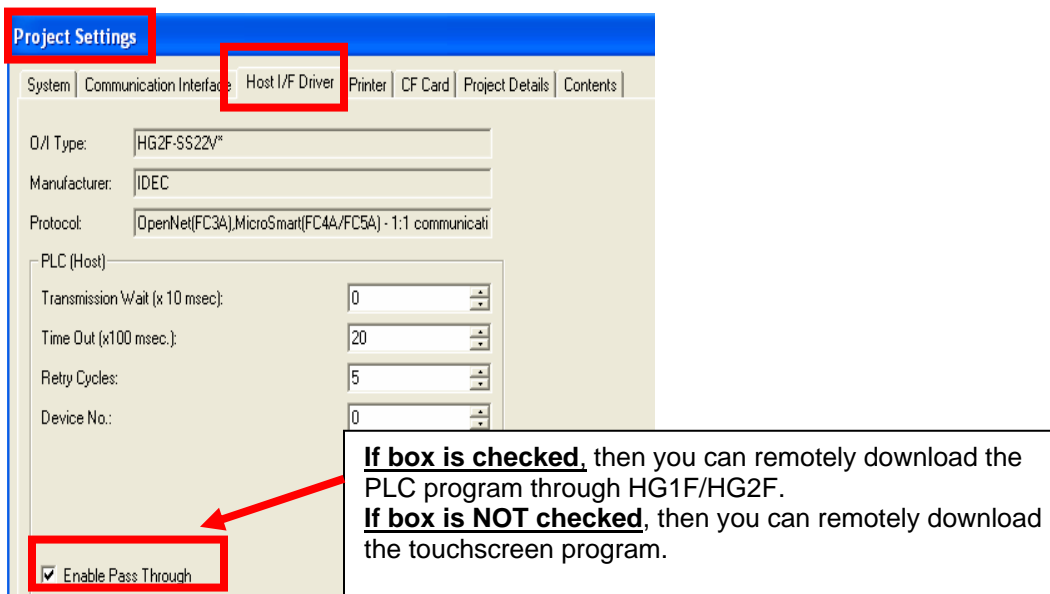
Step 2: How to Configure the HG1F or HG2F using WindO/I-NV2

- 1) Create your project in WindO/I-NV2, Version 3.20
- 2) **Important Note:** Before downloading the project, decide whether you would like to remotely download the PLC program or Touchscreen program.

Case 1: To download the PLC program via Ethernet through HG1F/HG2F, then check the box to Enable Pass Through. Then download the project by following Step 3.

Case 2: To download the touchscreen program via Ethernet, then uncheck the box to disable the Enable Pass Through. Then download the project by following Step 3.

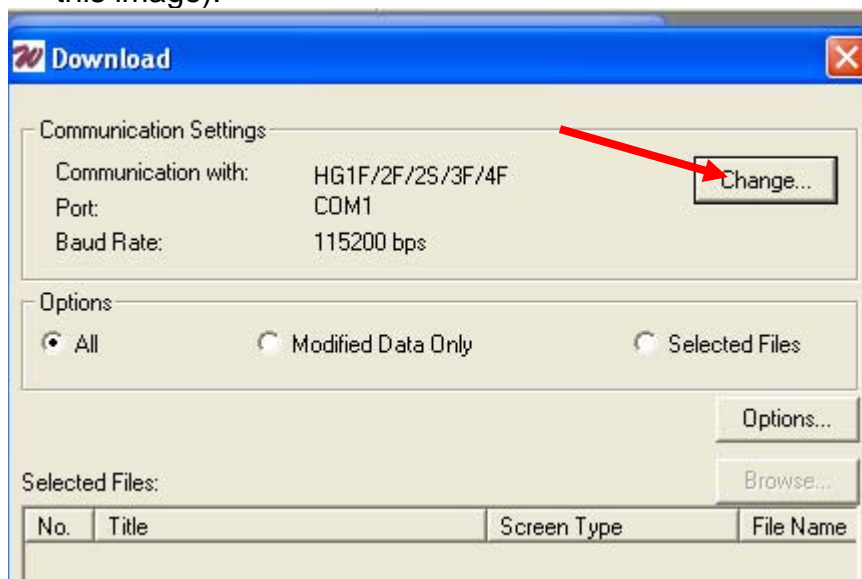
From the top menu of WindO/I-NV2, select “Setup” – “Project Settings”. In the Project Settings, select the “Host I/F Driver” tab. Most importantly, check or uncheck the box of “Enable Pass Through”.



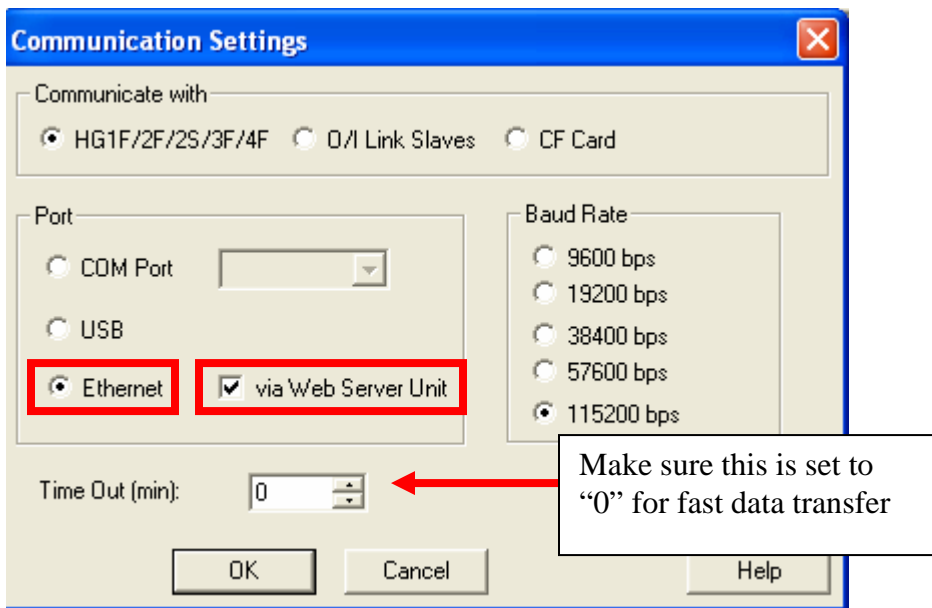
The screenshot shows the 'Project Settings' dialog box with the 'Host I/F Driver' tab selected. The 'O/I Type' is set to 'HG2F-SS22V*', 'Manufacturer' is 'IDEC', and 'Protocol' is 'OpenNet(FC3A),MicroSmart(FC4A/FC5A) - 1:1 communicati'. Under the 'PLC (Host)' section, 'Transmission Wait (x 10 msec):' is 0, 'Time Out (x100 msec.):' is 20, 'Retry Cycles:' is 5, and 'Device No.:' is 0. At the bottom, the 'Enable Pass Through' checkbox is checked. A red arrow points from this checkbox to a text box that reads: 'If box is checked, then you can remotely download the PLC program through HG1F/HG2F. If box is NOT checked, then you can remotely download the touchscreen program.'

Step 3: Downloading the project to HG1F or HG2F:

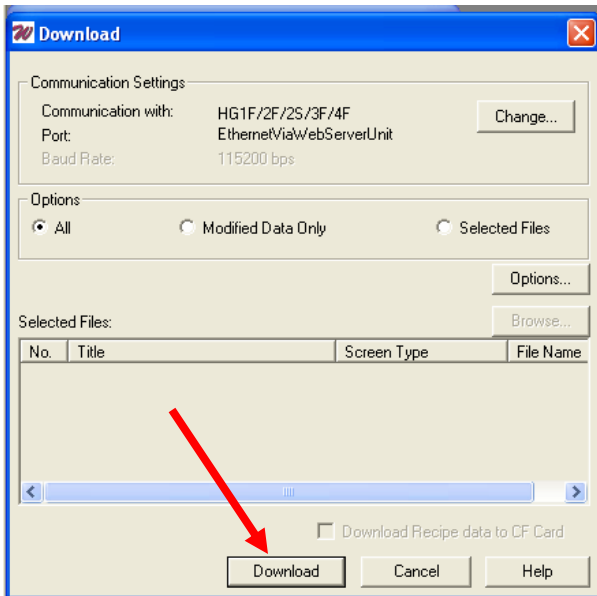
- 3) After setting the “Enable Pass Through”, you will need to download the HG1F/HG2F project [via ethernet](#), click on the Change button (as shown in this image).



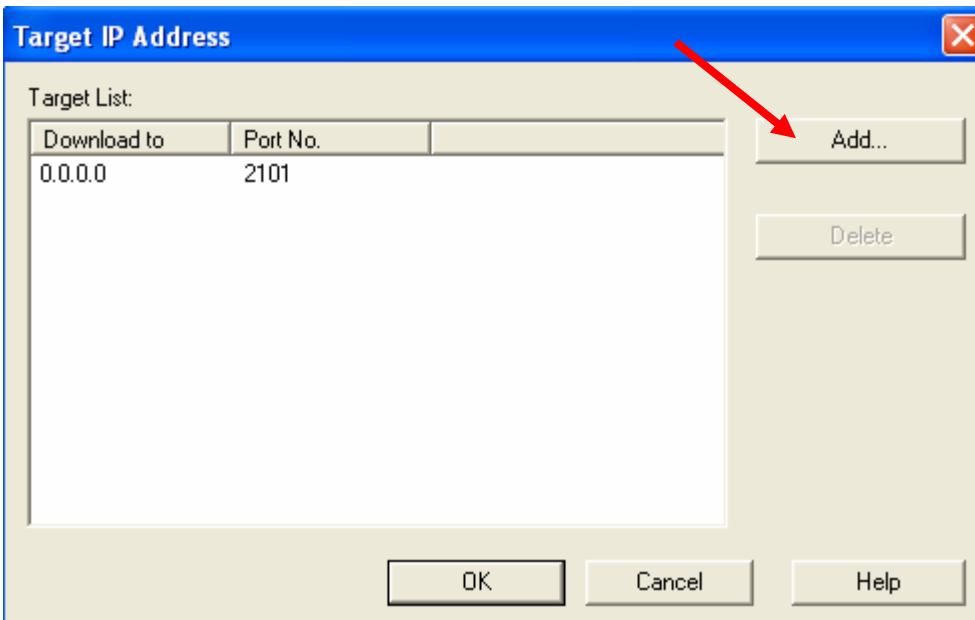
- 4) In Communication Settings, select Ethernet and check the box for “via Web Server Unit”. Click the OK button to continue.



5) Now, you are back to the Download properties. Click the Download button to continue.



6) Click the Add button to enter the IP address of the Web Server Unit.



7) You may either enter the IP Address or click the “Search” button to get the IP address of the Web Server Unit.

The screenshot shows the 'IP Address Browser' dialog box. It has several input fields: 'IP Address' (192 . 168 . 104 . 35), 'Subnet Mask' (255 . 255 . 255 . 0), and 'Default Gateway' (192 . 168 . 104 . 254). There are also 'Search', 'Comment', and 'Port No.' (2101) fields. A table titled 'IP Address List' contains one entry: 192.168.104.35 with Subnet Mask 255.255.255.0, Default Gateway 192.168.104.254, and Port 2101. Buttons for 'Add New', 'Delete', 'Select', 'Close', and 'Help' are visible. Two callout boxes provide instructions: 'Step 1' points to the IP Address field and Search button, and 'Step 2' points to the IP address in the table and the Select button.

Step 1:
Enter the IP Address of the Web Server Unit & Port No., then Click the “Add New” button.
OR
Click the Search button to auto search for the Web Server Unit IP Address

Step 2:
Click on the IP Address
Step 3:
Then press the Select button.

8) **Important note:** If you only configured one Web Server module, make sure it only shows 1 IP address in the box (delete others). If there are more addresses, it will try to communicate to other IP addresses as well. Click the OK button to continue. Now, it will download via Ethernet.

The screenshot shows the 'Target IP Address' dialog box. It has a table titled 'Target List' with two columns: 'Download to' and 'Port No.'. The first row contains the values 192.168.104.35 and 2101. There are 'Add...', 'Delete', 'OK', 'Cancel', and 'Help' buttons.

Download to	Port No.
192.168.104.35	2101

Download the project to the HG1F or HG2F.

