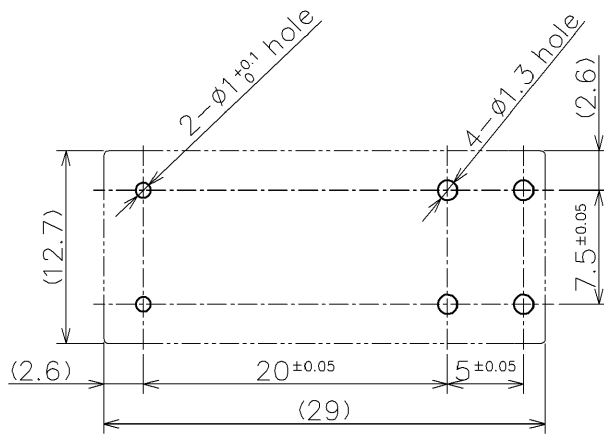
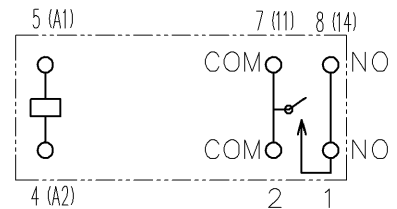


Outline Dimensions

* The dimensions of each terminal are the dimensions before pre-soldering.



PC Board Drilling Layout
(BOTTOM VIEW)



Internal Connection
(BOTTOM VIEW)

* Use both #1 and #8 and design the pattern so that they are short-circuited on the board.

Scale : 2

| | | | | |
|-------------|-------------|-----------|-------------------------------|--------------|
| | | | Product Name: RC SERIES RELAY | |
| | | | Type Number: RC1V-AH-* | |
| Approved by | Y.Onishi | 2023/1/16 | Dim.: m m | Outside View |
| Checked by | T.Taki | 2023/1/16 | Drawing No. MA4-R00574B | |
| Drawn by | T.Matsumoto | 2023/1/16 | | |