

INSTRUCTION SHEET
Safety Controller
SafetyOne
FS1A-C21S

Confirm that the delivered product is what you have ordered. Read this instruction sheet to make sure of correct operation. Make sure that the instruction sheet is kept by the end user.

SAFETY NOTE

In this operation instruction sheet, safety precautions are categorized in order of importance Warning and Caution :

WARNING

Warning notices are used to emphasize that improper operation may cause severe personal injury or death.

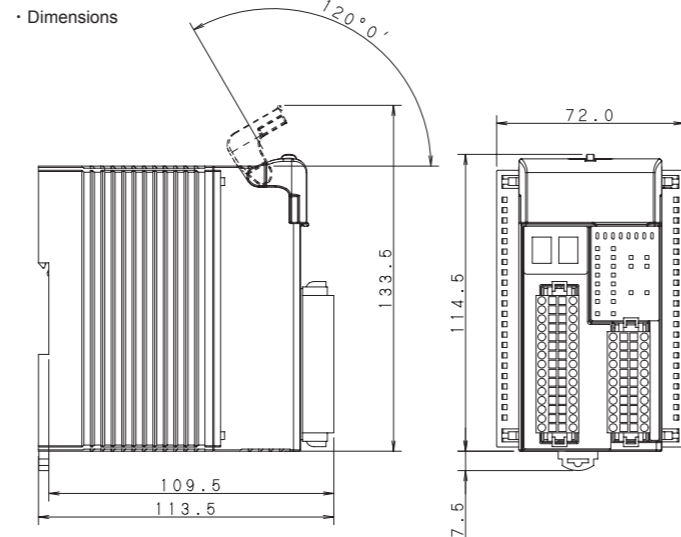
CAUTION

Caution notices are used where inattention might cause personal injury or damage to equipment.

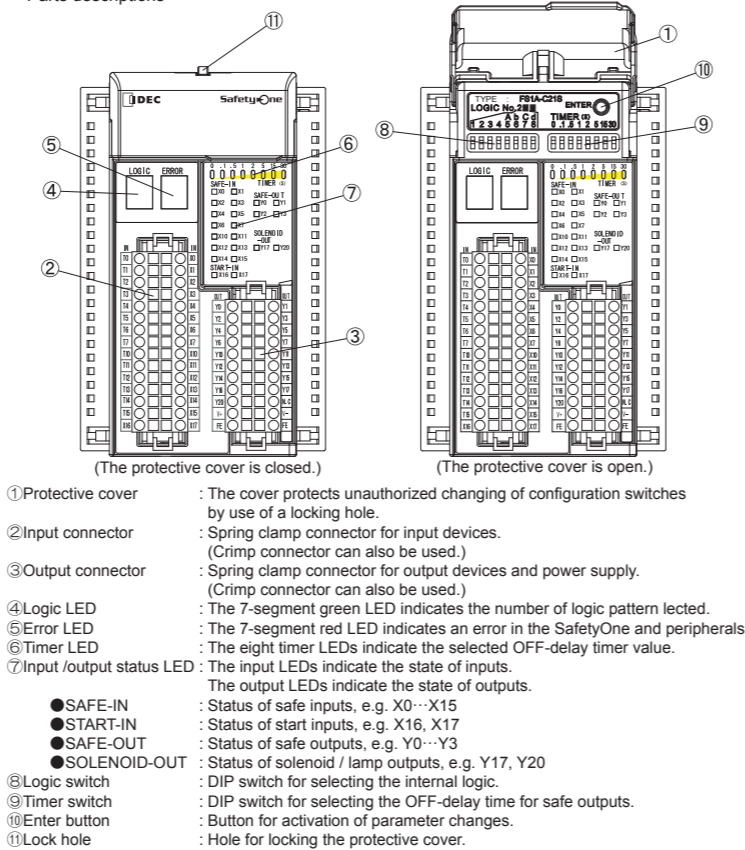
WARNING

- Do not disassemble, repair, or modify SafetyOne. This will cause impairment of the safe operability of SafetyOne.
Turn off the power to SafetyOne before starting installation, removing, wiring, maintenance, or inspection of SafetyOne.
Before operating SafetyOne, carefully read this instruction sheet and the latest user's manual (FS9Z-B1572), and ensure that the environment conforms to the requirements of SafetyOne specifications.

2 Dimensions and Parts Descriptions



Parts descriptions



3 Product Specifications

Table with 2 columns: Specification (Operating temperature, Humidity, Altitude, etc.) and Value (-10 to +55°C, 10 to 95%, etc.).

1 Unpacking

Before installing the FS1A-C21S, make sure that following items are contained completely without damage during transportation.

Table with 3 columns: Item, Type Number, Number. Lists items like Module, Connector, Configuration tool, etc.

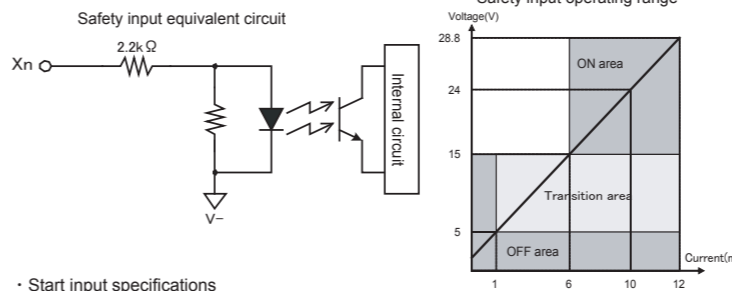
Electrical conditions table detailing Rated voltage (24V DC), Power consumption (48W), Reaction time, Dielectric strength, etc.

Notes 1-4: Note 1: Time to shut OFF safety outputs after inputs are turned OFF... Note 2: Time to shut OFF safety outputs after error is detected... Note 3: Time to turn ON safety outputs after safe inputs are turned ON... Note 4: Time to change to Run state after power supply is turned ON.

Drive and receive terminal specifications tables. Drive table includes Rated drive voltage (24V DC), Minimum drive voltage, Number of drive terminals (14). Receive table includes Rated input voltage (24V DC), Input ON voltage, Number of receive terminals (14).

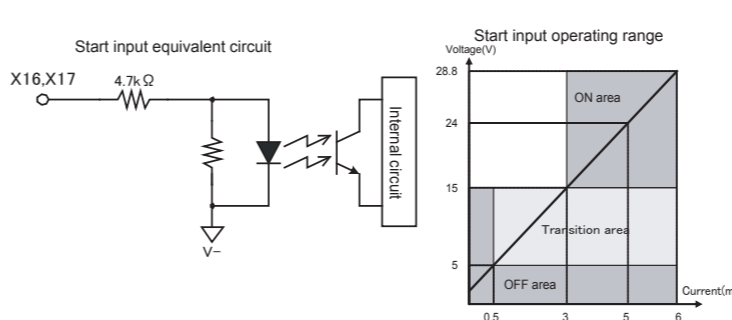
Note 1: The drive port generates check pulses in order to diagnose input devices and internal circuits. (Wiring and the diagnostic function are different depending on the logic selected.)

Note 2: For cables longer than 30m between SafetyOne and connected devices, or wiring drive terminals and receive terminals separately, use grounded shielded cables to assure electromagnetic immunity.



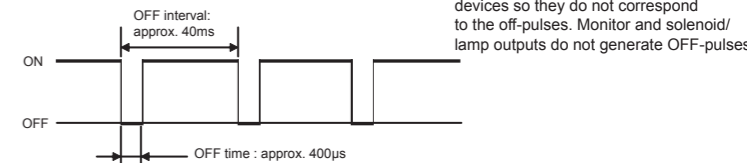
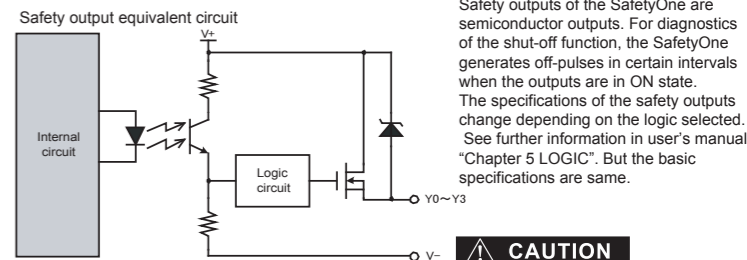
Start input specifications table: Rated input voltage (24V DC), Input ON voltage (15.0V DC to 28.8V DC), Input OFF voltage (Open or 0V DC to 5.0V DC), Number of start input terminals (2 (X16, X17)), etc.

Note 1: For cables longer than 30m between SafetyOne and connected devices, use grounded shielded cables to assure electromagnetic immunity.



Safety output specifications table: Output type (Source output (N channel MOSFET)), Rated output voltage (Power supply voltage), Minimum output voltage (Power supply voltage -2.0V), etc.

Note 1: For protection of output circuits, protection devices such as diodes should be connected to output circuits with inductive loads. Note 2: For cables longer than 30m between SafetyOne and connected devices, use grounded shielded cables to assure electromagnetic compatibility.

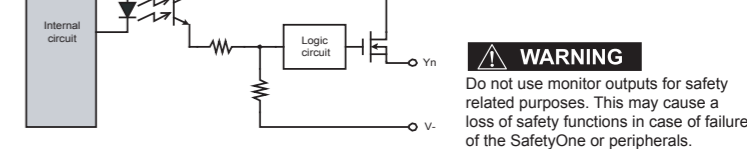


Monitor output specifications

Table with 2 columns: Specification (Output type, Rated output voltage, Number of output terminals, etc.) and Value (Source output (N channel MOSFET), Power supply voltage, 11 (Y4, Y5, Y6, Y7, Y10, Y11, Y12, Y13, Y14, Y15, Y16), etc.).

Note 1: For cables longer than 30m between SafetyOne and connected devices, use grounded shielded cables to assure electromagnetic compatibility.

The specifications of the monitor outputs change depending on the logic selected. See further information in user's manual "Chapter 5 LOGIC".



Solenoid/lamp output specifications

Table with 2 columns: Specification (Output type, Rated output voltage, Minimum output voltage, etc.) and Value (Source output (N channel MOSFET), Power supply voltage, Power supply voltage -2.0V, 2 (Y17, Y20), etc.).

Note 1: For protection of output circuits, protection devices such as diodes should be connected to output circuits with inductive loads. Note 2: For cables longer than 30m between SafetyOne and connected devices, use grounded shielded cables to assure electromagnetic compatibility.

