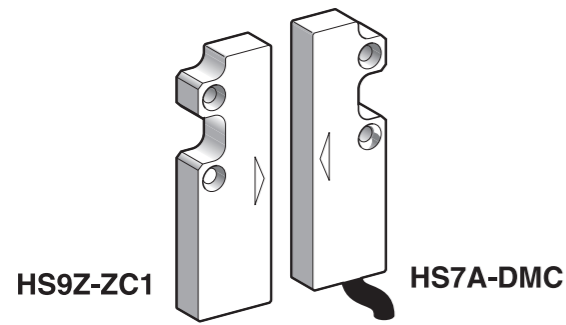


INSTRUCTION SHEET

Coded Magnetic Switches HS7A-DMC



Confirm that the delivered product is what you have ordered. Read this instruction sheet to make sure of correct operation. Make sure that the instruction sheet is kept by the end user.

The products have been designed in accordance with the standards in effect : IEC 60947-5-1, EN 292, EN 60204-1 to ensure the safety of machine operators and machine operating reliability, and have obtained the UL/CSA certifications

SAFETY NOTE

CAUTION

The use of the safety relay modules is required for the monitoring of the coded magnetic safety switches.

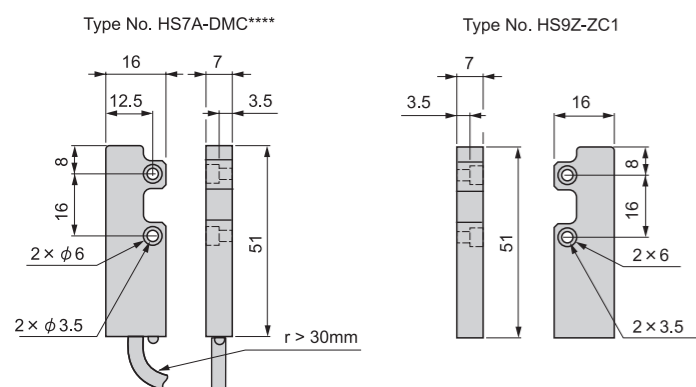
When correctly installed and connected to the HR1S safety relay modules they produce a category 4 control circuit per EN ISO 13849-1 (2 redundant contacts monitored by one HR1S safety relay module or FS series safety controller. See user's manual for wiring with safety controller).

Use the safety switches for an interlocking device in compliance with laws and regulations of the country in which it is being used.

1 Specifications

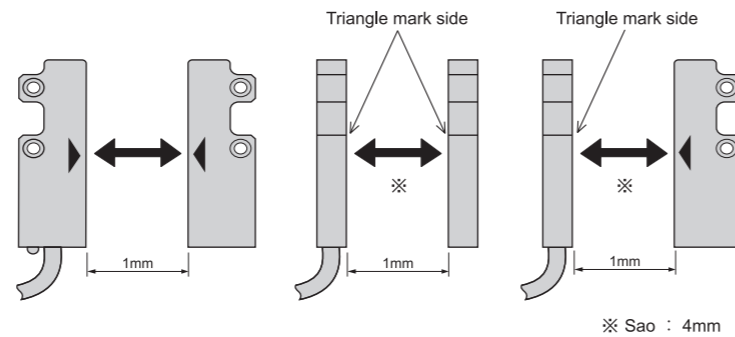
Conforming to standards	IEC / EN 60947-5-1 EN ISO / ISO 14119 UL 508, CSA C22.2 No.14
Interlocking device Type / the level of coded	Type 4 interlocking device / low level coded actuator (EN ISO 14119)
Ambient air temperature	Operation : -13° F to 185° F (-25°C+85°C) (no freezing) Storage : -40° F to 185° F (-40°C+85°C) (no freezing)
Vibration resistance	10 gn (10-150 Hz) conforming to IEC 60068-2-6
Shock resistance	30 gn (11 ms) conforming to IEC 60068-2-7
Protection against electric shock	Class II as per IEC 60536
Degree of protection	IP67
Degree of pollution	3, conforming to IEC / EN 60947-5-1
Rated operating characteristics	Ue = 24VDC Ie = 100 mA
Protection (using without safety relay module)	500 mA gG (gL) cartridge fuse (use type CC in the United States)
Repeat accuracy	≤10%
Hysteresis	≤20%
Frequency of operating cycle	150 Hz
Drop out voltage	I=10mA 0,1V without LED; 2,4V with LED I=100mA 1V without LED; 4,2V with LED
Functional switches	Closing - Opening
Cable connection	By cable 4 x AWG 23 (0.25mm ²) length 78.74 in, 196.85 in or 393.70 in (2m, 5m, 10m), depending on model

2 Dimensions (mm)



3 Operation

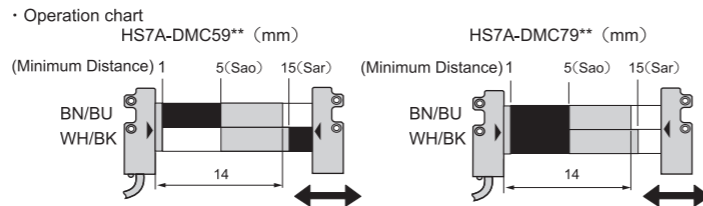
• Functional directions - Minimum distance between the safety switch and the magnet



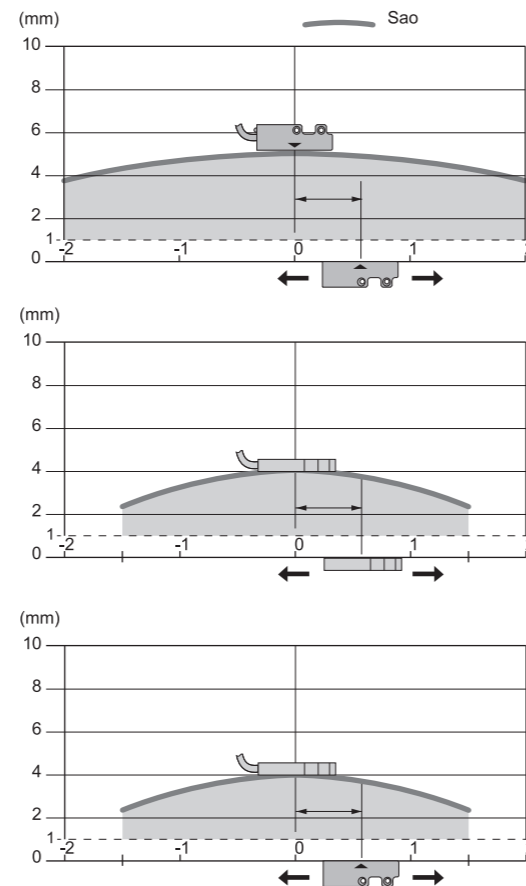
• Contact status

█	-Contact closed (1)
□	-Contact open (0)
▬	-Transient state

Sao : Assured Operation Distance
Sar : Assured Release Distance

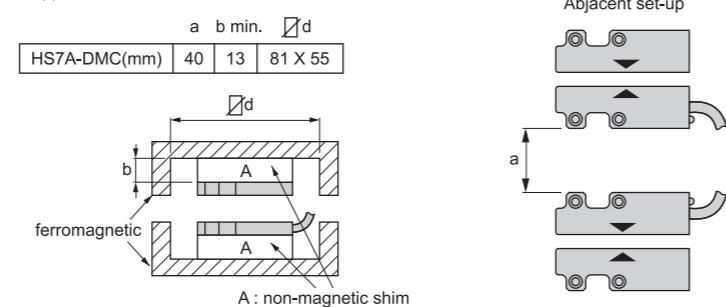


• Sensing area

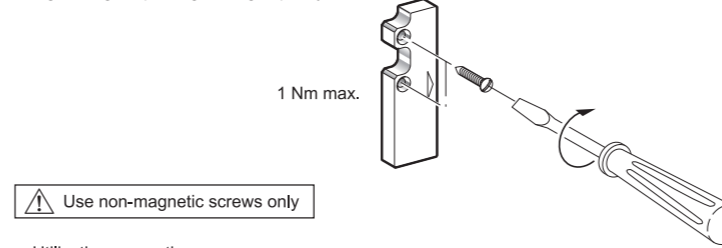


4 Mounting

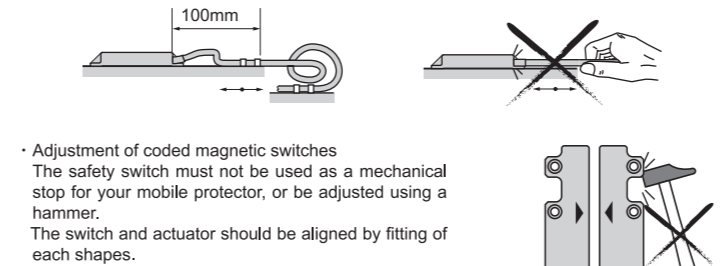
• Required arrangement with ferromagnetic mounting support



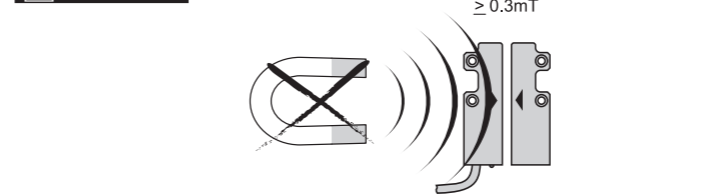
• Tightening torque, Tightening capacity



• Utilization precautions



CAUTION



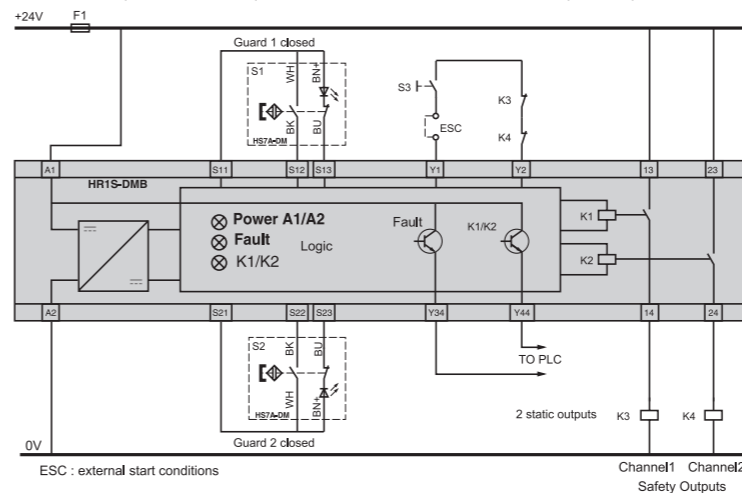
5 Wiring diagram

WARNING

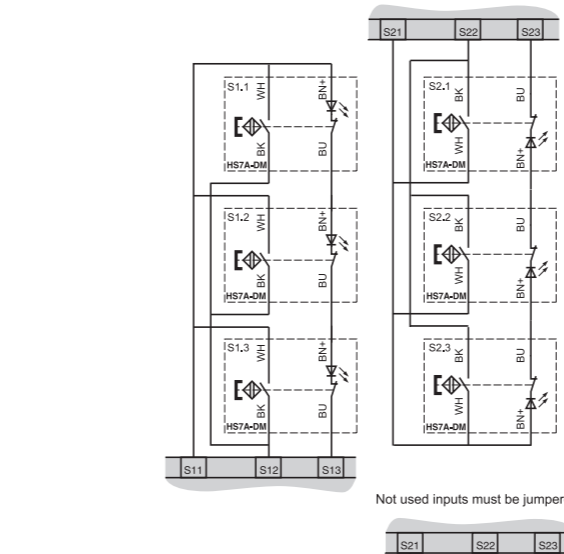
HAZARDOUS VOLTAGE
Disconnect all power before working on equipment.
Electric shock will result in death or serious injury.

* Illustration of contacts with magnet present

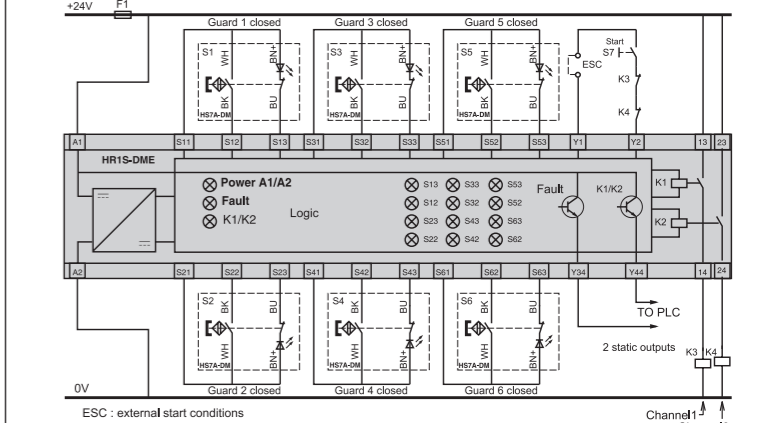
Cat. 4 / PL=e (EN ISO 13849-1) / SIL3 - HR1S-DMB + HS7A-DMC59** (NC+NO) + HS9Z-ZC1



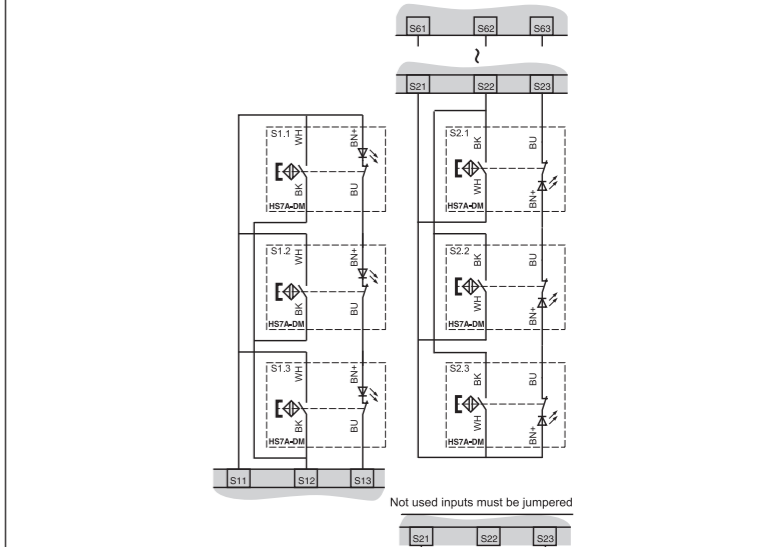
Cat. 3 / PL=d (EN ISO 13849-1) / SIL2 - HR1S-DMB



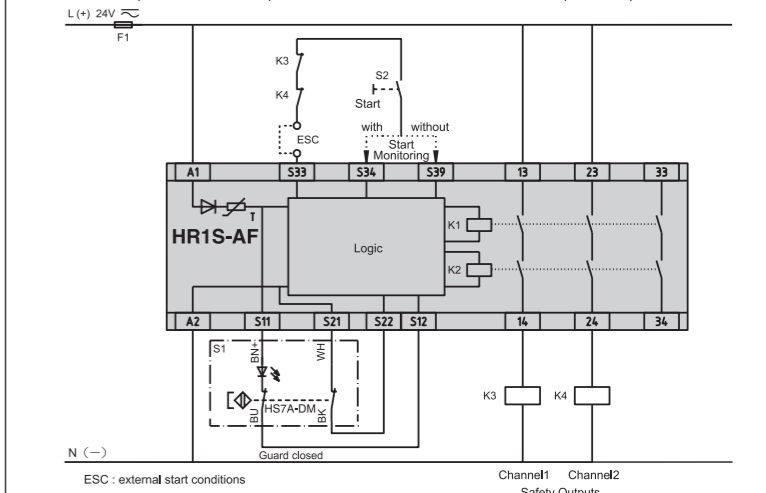
Cat. 4 / PL=e (EN ISO 13849-1) / SIL3 - HR1S-DME + HS7A-DMC59** (NC+NO) + HS9Z-ZC1



Cat. 3 / PL=d (EN ISO 13849-1) / SIL2 - HR1S-DME



Cat. 4 / PL=e (EN ISO 13849-1) / SIL3 - HR1S-AF + HS7A-DMC79** (NO+NO) + HS9Z-ZC1



Connectable HS7A-DMC per Input.

	HS7A-DMC59**		HS7A-DMC79**	
	without LED	with LED	without LED	with LED
HR1S-DMB/DME	6	3	6	3
HR1S-AF	6	3	6	1

Type

Type No.	LED	Cable	Contact	Type No.	LED	Cable	Contact
HS7A-DMC5902	without	2m	NO + NC	HS7A-DMC7902	without	2m	NO + NO
HS7A-DMC5912	with	2m		HS7A-DMC7912	with	2m	
HS7A-DMC5905	without	5m	NO + NC	HS7A-DMC7905	without	5m	NO + NO
HS7A-DMC5915	with			HS7A-DMC7915	with		
HS7A-DMC59010	without	10m	NO + NC	HS7A-DMC79010	without	10m	NO + NO
HS7A-DMC59110	with			HS7A-DMC79110	with		

IDEC CORPORATION

<http://www.idec.com>

DECLARATION OF CONFORMITY

We, IDEC CORPORATION 6-64, Nishimiyahara 2-chome Yodogawa-ku, Osaka 532-0004, Japan declare under our sole responsibility that the product:
Description: Non-contact Safety Switch
Series Name: HS7A Series
Model No.: HS7A-DMC59** (** = 02, 12, 05, 15, 010, or 110), HS7A-DMC79** (** = 02, 12, 05, 15, 010, or 110) to which this declaration relates is in conformity with the EC Directive on the following standard(s) or other normative document(s). In case of alteration of the product, not agreed upon by us, this declaration will lose its validity.
Applicable EC Directive: Low Voltage Directive (2006/95/EC)
EC Directive of Electromagnetic Compatibility (2004/108/EC)
Machinery Directive (2006/42/EC)

Applicable Standard(s) : EN ISO 13849-1, EN ISO 14119, EN 60204-1, EN 62061, EN 60947-1, EN 60947-5-1
Authorized Representative in EU : IDEC ELEKTROTECHNIK GmbH Heselstuecken 8, 22453 Hamburg, Germany
W916343840111 A06 2/2