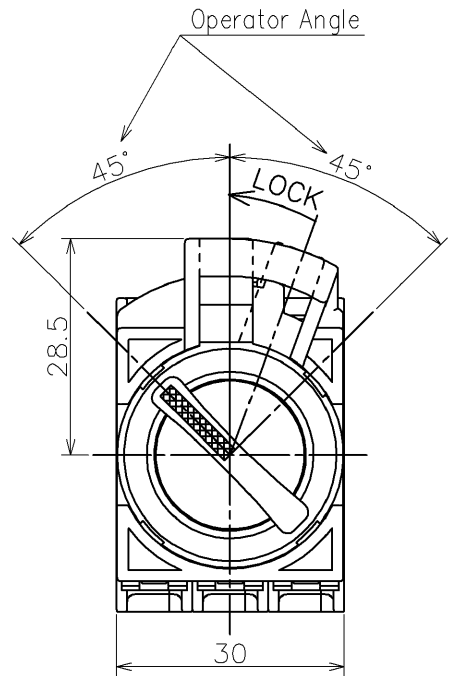
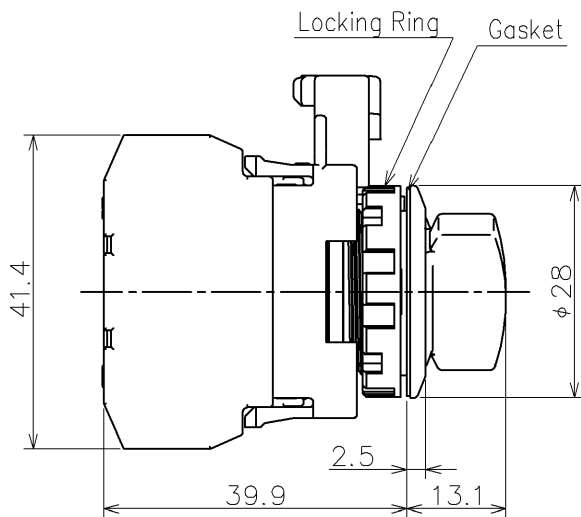
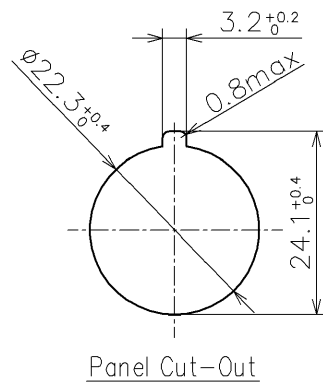
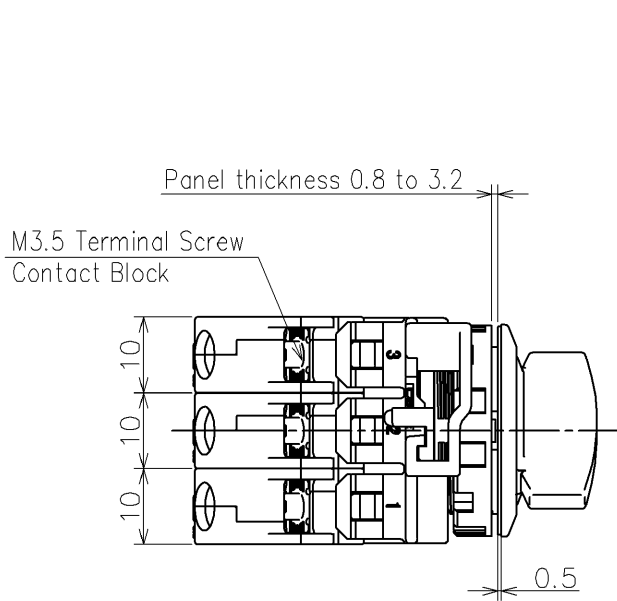


Bezel Color (◇) : Black (1) , Metallic (4)  
 Operation Type (Δ) : Maintained (blank) ,  
 Spring return from right (1) ,  
 Spring return from left (2) ,  
 2-way spring return (3)  
 Contact Arrangement (□□) : 1NO-1NC (11) , 1NO-1NC (11N1) ,  
 1NO-1NC (11N2) , 1NO-1NC (11N3) ,  
 1NO-1NC (11N4) ,  
 2NO (20) , 2NO (20N1) , 2NC (02) ,  
 2NC (02N1) , 2NO-1NC (21) ,  
 2NO-1NC (21N1) , 1NO-2NC (12) ,  
 1NO-2NC (12N1) , 3NO (30) , 3NC (03)



			Product Name: CW SERIES SELECTOR SWITCHES
			Type Number: CW◇S-3ΔE□□
Approved by	M.FUJIMOTO	2023/8/30	Dim.: mm
Checked by	Y.HANAOKA	2023/8/30	
Drawn by	F.TAKAI	2023/8/30	Drawing No. MA4-A04834B