

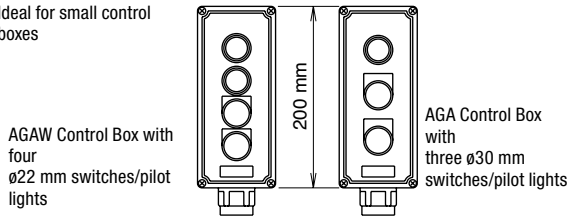
AGNW Series Control Stations

IP65 Waterproof Aluminum Control Stations for $\varnothing 22$ mm Switches/Pilot Lights

AGAW control stations are designed for mounting IDEC $\varnothing 22$ mm (7/8 inch) switches/pilot lights.

- Various control stations are available from one to four holes with most widely used combinations of switches/pilot lights (contact configurations, voltage, button colors, and nameplates).
- Enclosures only are also available, in which specifically selected TW series can be installed.

Ideal for small control boxes



- HW series can also be installed.



Specifications

| | |
|----------------------------------|---|
| Degree of Protection (Note) | IP65 (IEC60529) (Key selector switch: Splash-proof IP54) |
| Material (Box) | Aluminum alloy die-cast |
| Coating Color (Melamine coating) | Yellow semi-gloss (Munsell 5Y7/1, outside only) |
| Rated Insulation Voltage | 600V |
| Insulation Resistance | 5 M Ω minimum |
| Dielectric Strength | Between live and dead parts: 2500V AC, 1 minute |
| Standard Operating Conditions | Ambient temperature: -25 to +50°C (no freezing) Relative humidity: 45 to 85% (no condensation) |
| Style | Wall mount (1 to 4 holes) Pole mount (1 to 4 holes) |
| Cable Lead-in (Wall Mount) | Entrance hub 1 to 3 holes: HNA22 G3/4 (22 mm) 4 to 5 holes: HNA33 G1 (28 mm) |
| Applicable Switches/Pilot Lights | IDEC $\varnothing 22$ mm TW series |

Note: The degree of protection depends on the switches/pilot lights mounted in the enclosure. When IP65 switches/pilot lights are mounted, the entire control station has IP65 characteristics. (See page 2)

Common

Minimum applicable load (reference) = 3V AC/DC, 5mA (the applicable range is subject to change according to the operating conditions)

Switch/Pilot Light Mounting Holes

The holes for mounting switches/pilot lights are 22.2 mm in diameter with an anti-rotation notch.

Mounting centers are 50 mm on 2- and 3-hole enclosures, and 36 mm on 4-hole enclosures.

Waterproof Bushing

Four plastic bushings are provided inside the corners for mounting screws to secure the control station on a panel surface.

Lead-in Fittings (Wall Mount)

An entrance hub made of aluminum is supplied for connecting a steel conduit to lead in cables.

- 1 to 3 holes: With HNA22 G3/4 for 22 mm conduit
- 4 holes: With HNA33 G1 for 28 mm conduit

HNAG gland hubs for lead in cables are also available.

Stand Pole (Pole Mount)

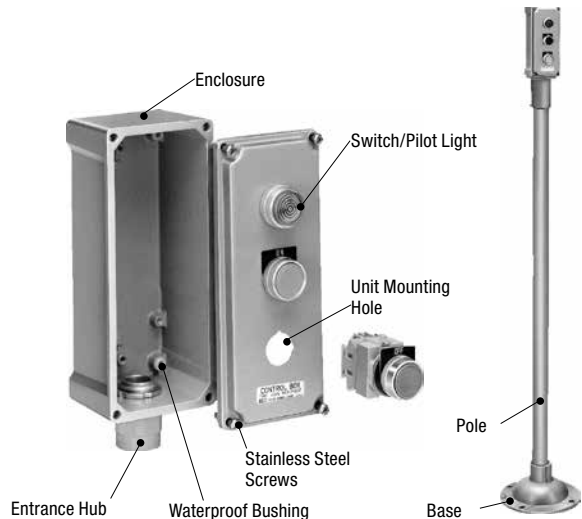
The pole is made of carbon steel pipe, and the base is made of cast iron. The coating color is the same as the enclosure, yellow (semi-gloss).

Contact Ratings (Contact Block)

| | | |
|---------------|---|-----------------------|
| Contact Block | Rated Insulation Voltage | 600V |
| | Rated Thermal Current | 10A |
| | Contact Ratings by Utilization Category | AC-15 (A600) DC-13 |
| | | IEC60947-5-1 |

Operational Voltage and Current by Utilization Category

| Operational Voltage | | 24V | 48V | 50V | 110V | 220V | 440V | |
|---------------------|--------------|--|-----|-----|------|------|------|----|
| Operational Current | AC (50/60Hz) | AC-12 Control of resistive loads and solid state loads | 10A | — | 10A | 10A | 6A | 2A |
| | | AC-15 Control of electromagnetic loads (>72VA) | 10A | — | 7A | 5A | 3A | 1A |
| Operational Current | DC | DC-12 Control of resistive loads and solid state loads | 8A | 4A | — | 2.2A | 1.1A | — |
| | | DC-13 Control of electromagnets | 4A | 2A | — | 1.1A | 0.6A | — |



Control Stations with Switches/Pilot Lights

The control stations are available with a selected combination of switches/pilot lights as listed below. For the dimensions and mounting centers, see the figures on page 10.

| Switch/Pilot Light | Part No. | Specifications |
|---------------------------|-----------|---------------------------|
| Pushbutton (PB) | ABW110 * | Flush, 1NO |
| | ABW101 * | Flush, 1NC |
| | ABW111 * | Flush, 1NO-1NC |
| | ABW411 * | ø40 mushroom, 1NO-1NC |
| Pilot Light (PL) (LED) | APW116D * | Round flush, 100/110V AC |
| | APW126D * | Round flush, 200/220V AC |
| Selector Switch (SS) | ASW211 | Knob, 2-position, 1NO-1NC |
| | ASW320 | Knob, 3-position, 2NO |
| | ASW2K11 | Key, 2-position, 1NO-1NC |

Note: Specify a button or lens color code in place of * :
 Pushbutton: B (black), G (green), R (red)
 Pilot Light: G (green), R (red), W (white)

Control Stations

Package Quantity: 1

| Control Station | | Mounted Switches/Pilot Lights | | |
|-----------------------|-------------|-------------------------------|----------------------|--------------------------------|
| Style | Part No. | Symbol | Part No. | NWA Nameplate Legend |
| Wall Mount 1 hole | AGAW1101Y | | ABW110B | ON |
| | AGAW1102Y | | ABW411R | Without nameplate |
| | AGAW1105Y | | ASW211 | HAND-AUTO |
| | AGAW1107Y * | | ASW2K11 | OFF-ON |
| Pole Mount 1 hole | AGAW1101SY | | ABW110B | ON |
| | AGAW1102SY | | ABW411R | OFF |
| Wall Mount 2 holes | AGAW2101Y | | ABW110B ABW101R | ON OFF |
| | AGAW2102Y | | ABW111B ABW111R | ON OFF |
| | AGAW2103Y | | APW116DR APW116DG | Without nameplate |
| | AGAW2104Y | | APW126DR APW126DG | Without nameplate |
| | AGAW2105Y | | APW116DR ABW111DR | Without nameplate STOP |
| | AGAW2106Y | | APW126DR ABW111R | Without nameplate STOP |
| | AGAW2107Y | | APW116DR ASW211 | Without nameplate HAND-AUTO |

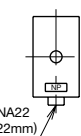
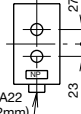
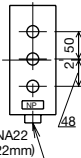
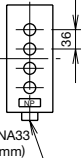
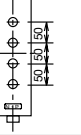
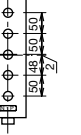
Degree of protection marked with * is splash-proof IP54.

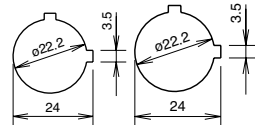
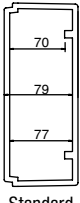
| Control Station | | Mounted Switches/Pilot Lights | | |
|------------------------|--------------------------|-------------------------------|--|---|
| Style | Part No. | Sym- bol | Part No. | NWA Nameplate Legend |
| Wall Mount 2 holes | AGAW2108Y | | APW126DR ASW211 | Without nameplate HAND-AUTO |
| | AGAW2109Y * | | APW116DR ASW2K11 | Without nameplate OFF-ON |
| | AGAW2110Y * | | APW126DR ASW2K11 | Without nameplate OFF-ON |
| | AGAW2113Y | | ABW110B ABW411R | ON Without nameplate |
| Pole Mount 2 holes | AGAW2101SY | | ABW110B ABW101R | ON OFF |
| Wall Mount 3 holes | AGAW3102Y | | APW116DR ABW110B ABW101R | Without nameplate ON OFF |
| | AGAW3103Y | | APW126DR ABW110B ABW101R | Without nameplate ON OFF |
| | AGAW3104Y | | ABW111B ABW111R ASW211 | ON OFF HAND-AUTO |
| Pole Mount 3 holes | AGAW3102SY | | APW116DR ABW110B ABW101R | Without nameplate ON OFF |
| | AGAW3104SY | | ABW111B ABW111R ASW211 | ON OFF HAND-AUTO |
| Wall · Pole 4 holes | Wall Mount AGAW4101Y | | APW126DR APW126DG ABW111B ABW111R | Without nameplate Without nameplate ON OFF |
| | Pole Mount AGAW4101SY | | | |
| | Wall Mount AGAW4102Y | | APW126DR ABW111B ABW111R ASW211 | Without nameplate ON OFF HAND-AUTO |
| | Pole Mount AGAW4102SY | | | |

Degree of protection marked with * is splash-proof IP54.

Empty Enclosures

Package Quantity: 1

| Style | Part No. | Unit Mounting Hole | Switch/Pilot Light Mounting Centers |
|-----------------------------|----------|--------------------|---|
| 1 hole (approx. 0.6 kg) | AGAW211Y | With |  |
| | AGA210Y | Without | |
| 2 holes (approx. 0.6 kg) | AGAW212Y | With |  |
| 3 holes (approx. 0.7 kg) | AGAW313Y | With |  |
| | AGA310Y | Without | |
| 4 holes (approx. 0.7 kg) | AGAW314Y | With |  |
| 4 holes (approx. 0.9 kg) | AGAW514Y | With |  |
| 5 holes (approx. 0.9 kg) | KGNW515Y | With |  |
| | KGN510Y | Without | |

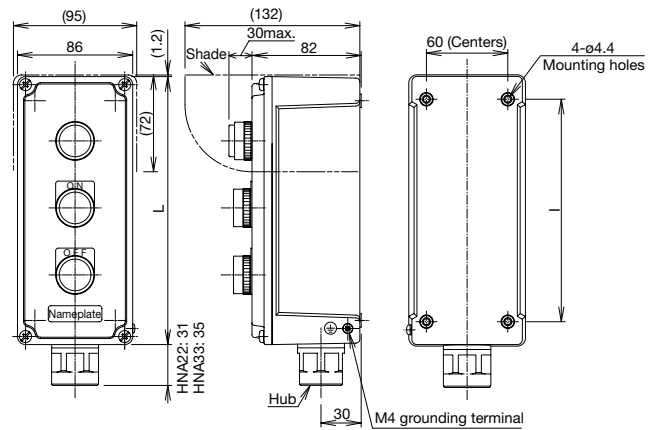
| Switch/Pilot Light Mounting Hole | Effective Depth inside the Enclosure |
|---|---|
|  |  |

An entrance hub is supplied.
 1 to 3 holes: With HNA22 G3/4 for 22 mm conduit
 4 holes: With HNA33 G1 for 28 mm conduit

Dimensions

All dimensions in mm.

AGAW Control Station (Wall Mount)

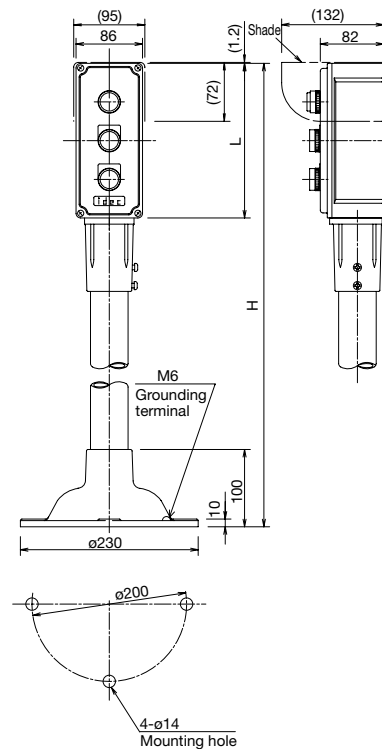


- Entrance Hub (attached)
 1 to 3 holes: HNA22 G3/4 (22 mm)
 4 holes: HNA33 G1 (28 mm)
- Gland hubs for leading in cables are also available.
 See page 39 for details.

| Part No. | Applicable Cable Diameter (R) |
|----------|-------------------------------|
| HNG21 | 8, 10, 12 |
| HNAG22 | 13, 15, 17 |
| HNAG33 | 18, 20, 22 |

| | 1 hole | 2 holes | 3 holes | 4 holes | | 5 holes |
|------------------|-------------|---------|---------|---------|--------|-------------|
| | 211Y (210Y) | 212Y | 313Y | 314Y | 514Y | 515Y (510Y) |
| L | 150 | 150 | 200 | 200 | 300 | 300 |
| I | 114 | 114 | 164 | 164 | 264 | 264 |
| Weight (Approx.) | 0.6 kg | 0.6 kg | 0.7 kg | 0.7 kg | 0.9 kg | 0.9 kg |

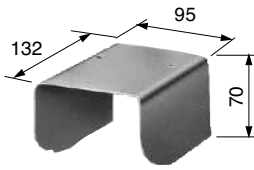
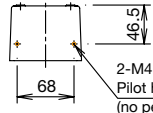

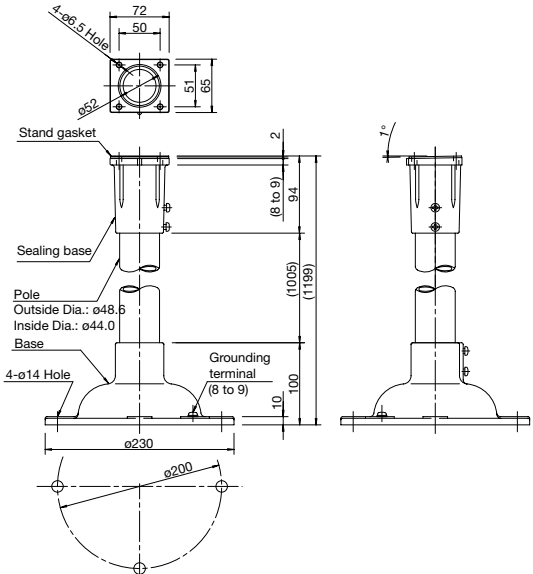
AGAW Control Station (Pole Mount)



| | 1 hole | 2 holes | 3 holes | 4 holes | 4 holes | 5 holes |
|------------------|--------|---------|---------|---------|---------|---------|
| H | 1350 | 1400 | 1400 | 1500 | 1500 | 1500 |
| L | 150 | 200 | 200 | 300 | 300 | 300 |
| Weight (Approx.) | 6.1 kg | 6.2 kg | 6.2 kg | 6.4 kg | 6.4 kg | 6.4 kg |

Accessory (Options)

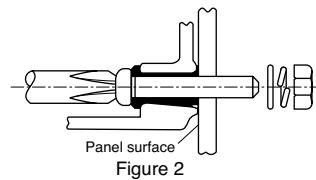
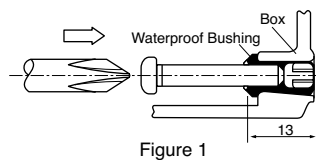
Package Quantity: 1

| Name & Shape | Part No. | Description & Dimensions |
|--|----------|--|
| <p>Enclosure Shade</p>  <p>Material: Carbon steel plate Thickness: 1 mm Weight: Approx. 0.25 kg</p> | AGZ-S1Y | <ul style="list-style-type: none"> Protection for switches/pilot lights against direct sunlight and falling objects. Color: Yellow (semi-gloss) Shade mounting hole  <p>2-M4 tapped hole: Depth 5 Pilot hole: Depth 5.5 max. (no penetration)</p> |
| <p>Stand Pole</p>  <p>Weight: Approx. 5.6 kg</p> | AGZ-S205 | <ul style="list-style-type: none"> For replacement of the base and pole. Color: Yellow (semi-gloss)  <p>All dimensions in mm.</p> |

Instructions

Precautions for Mounting on Panel (Wall)

1. Insert M4 screws into the waterproof bushings at all four corners inside the box. Push the screws with a screwdriver and penetrate the bushings (Figure 1).
2. Thrust the screws into panel holes and secure the screws with nuts (Figure 2). Waterproof characteristics are not affected by piecing the bushings with screws.



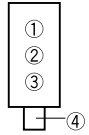
Ordering Information

When ordering control stations with switches/pilot lights:
Specify the Part No. of the control station.

When ordering enclosures without switches/pilot lights:
Specify the following items.

1. Part No. of the enclosure
2. Part No. and specifications of the switches/pilot lights to be mounted (lens color, button color, etc.)
3. Nameplate
4. Lead-in fitting
Only when ordering the gland hub for leading in cables, specify the Part No. and the finished cable outside diameter (R).
5. Other specifications

Ordering Example

| | | | |
|---|----------------------------------|------------|---------------------|
|  | Part No. of Enclosure | AGAW313Y | |
| | Switch/Pilot Light and Nameplate | ① | APW126DR |
| | | ② | ABW210G, with NWA-1 |
| | | ③ | ABW201R, with NWA-2 |
| Lead-in Fitting | ④ | HNAG22 R15 | |

Note: Any ø22 mm TW/HW series are selectable. Take into consideration the degree of protection of the switches/pilot light and the effective depth of the enclosure.