

HG1F

Operator Interface



Clear and legible display of up to 300 × Functions comparable to large operator

Wide & Bright High Resolution



Actual Size

Clear

- 500 cd/m² high-contrast LCD (monochrome)
(luminance according to LCD manufacturer's specifications)
- Clear display of 300 × 100 pixels
- 16 brightness levels
- Windows® fonts can be displayed.

A choice of three frame colors



Light Gray

Dark Gray

Silver

Easy

- WindO/I-NV2 software for easy screen design.
- Compatible with HG2F/3F/4F/2S
- Various communication drivers and user communication functions enable direct connection to PLCs, barcode readers, printers, and other peripherals.

100 pixels interfaces

HG1F 4.6 inch Operator Interface

Analog touch panel enables flexible screen layout

Objects can be expanded infinitely from the minimum switch size of 16 × 16 pixels and placed anywhere on the screen.



Thin body — Only 35.3mm deep behind the panel

Small, thin housing fits into narrow mounting spaces. Vertical installation and scrolling text display are also possible.

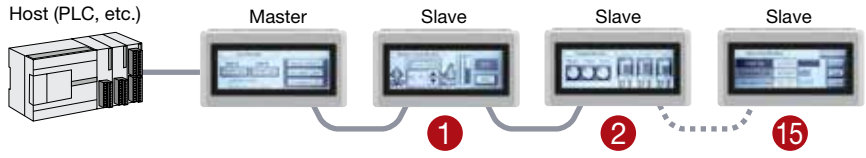
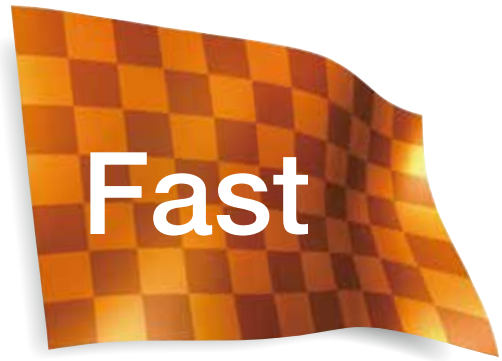


Multi-lingual capabilities

Many languages can be displayed, such as English, simplified and traditional Chinese, Korean, European languages, central European languages, Baltic, and Cyrillic.

High-speed 1:N communication

One host can connect a maximum of 16 HG1F, HG2F, HG3F, HG4F, and HG2S operator interfaces in an O/I link network.



When using the HG1F RS-485/422 version as a slave, the O/I link unit is not needed.

- RISC processor is employed for a high internal processing speed.
- Quick response in operation and display
- 1 MB user memory size (including optional fonts)

Interface Specifications

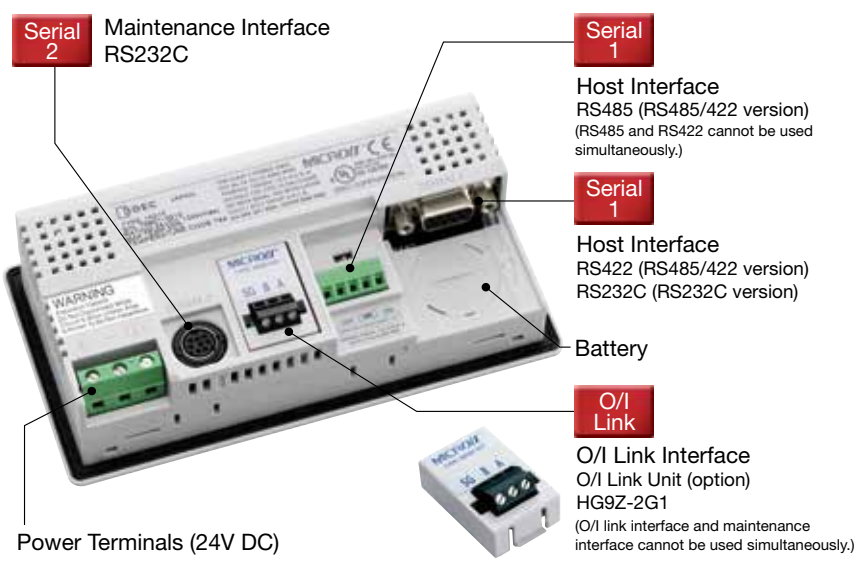


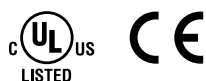
Photo shows the RS485/422 version equipped with the optional O/I link unit. The RS232C version does not have the host interface RS485 communication port.

HG1F Operator Interface

Clear legible display of 300 × 100 pixels

Multiple functions comparable to larger operator interfaces

- High-contrast monochrome LCD, super bright 500 cd/m² (luminance according to LCD manufacturer's specifications)
- 16 adjustable brightness levels
- All Windows® fonts can be displayed.
- High-performance CPU ensures quick response in operation and display.
- Analog touch panel enables flexible screen layout.
- Vertical display is possible.
- User communication functions enable connection to barcode readers and other peripherals.
- High-speed O/I link function enables connection to a maximum of 16 HG units to a host, using optional O/I link unit HG9Z-2G1.
- Thin housing style — only 35.3mm deep behind the panel
- WindO/I-NV2 software is used for easy screen design.
- Compatible with IDEC HG2F, HG3F, HG4F, and HG2S displays.
- Multilingual capabilities, such as English, simplified and traditional Chinese, Korean, and central European languages.
- UL, c-UL listed (except silver bezel), EN compliant



HG1F

Display Screen	Operation	Maintenance Interface	Host Interface	Housing/Bezel Color	Part No.	Remarks
4.6-inch STN monochrome LCD	Touch screen	RS232C	RS232C	Light gray	HG1F-SB22BF-W	UL, c-UL, CE
				Dark gray	HG1F-SB22BF-B	UL, c-UL, CE
				Silver	HG1F-SB22BF-S	CE
			RS485/422	Light gray	HG1F-SB22YF-W	UL, c-UL, CE
				Dark gray	HG1F-SB22YF-B	UL, c-UL, CE
				Silver	HG1F-SB22YF-S	CE

Note: Each HG1F operator interface is supplied with four mounting clips SLD-K02 and one battery HG9Z-XR1.

Options

Name	Part No.	Ordering No.	Description	Length	Connector to the Host	Mode
PLC Connection Cable (Note 1)	HG9Z-XC183		For IDEC's MicroSmart, OpenNet Controller, port 2	3m	Mini DIN 8-pin	RS232C
	FC4A-KC1C		For IDEC's MicroSmart, port 1	5m	Mini DIN 8-pin	RS232C
	HG9Z-XC115		For IDEC's FA-3S SIF2	5m	Dsub 9-pin female	RS232C
	HG9Z-XC245		For Mitsubishi FX direct connection	5m	Mini DIN 8-pin	RS422
	HG9Z-XC255		For Mitsubishi A/QnA direct connection	5m	Dsub 25-pin female	RS422
	HG9Z-XC265		For Mitsubishi Q series direct connection	5m	Mini DIN 6-pin	RS232C
	HG9Z-XC145		For Mitsubishi computer link unit	5m	Dsub 25-pin female	RS232C
	HG9Z-XC155		For OMRON link unit	5m	Dsub 25-pin female	RS232C
	HG9Z-XC203		For Mitsubishi computer link unit	3m	Dsub 9-pin female	RS232C
	HG9Z-XC213		For OMRON CPU unit RS232C interface (except C20H, 28H, 40H)	3m	Dsub 9-pin female	RS232C
Maintenance Cable	HG9Z-XCM22		D-sub 9-pin female connector to connect to computer (2m long) (Note 2)			
Protective Sheet	HG9Z-1D	HG9Z-1DPN05	For protecting the HG1F screen (5 pcs/pack)			
O/I Link Unit	HG9Z-2G1		Communication unit for O/I link			
Application Software Automation Organizer	SW1A-W1C		Includes WindO/I-NV2 (English/Japanese/Chinese) on CD. PDF files of English/Japanese/Chinese manuals are stored on the CD.			
User's Manual	HG9Y-B1119		English			

Note 1: For cable connection diagrams, see the host interface manual which is stored on the Automation Organizer. Also visit our website at www.idec.com.

Note 2: Computer link cable 4C (FC2A-KC4C) for IDEC's MicroSmart and OpenNet Controller is also applicable.

Replacement Parts

Name	Part No.	Ordering No.	Description
Replacement Backlight (CCFL)	HG9Z-1FB		One backlight is supplied with HG1F.
Mounting Clip	SLD-K02	SLD-K02PN10	10 pcs/pack (four pieces are supplied with HG1F)
Replacement Battery	HG9Z-XR1		Lithium battery CR2032 (one battery is supplied with HG1F)

General Specifications

Rated Power Voltage	24V DC	
Power Voltage Range	20.4 to 28.8V DC	
Power Consumption	10W maximum	
Power Inrush Current	20A maximum	
Allowable Momentary Power Interruption	10 ms minimum	
Dielectric Strength	1,000V AC, 10 mA, 1 minute between power and FG terminals	
Insulation Resistance	50 MΩ minimum between power and FG terminals (500V DC megger)	
Backup Battery	CR2032 lithium primary battery Life approx. 4 years (25°C)	
Operating Temperature	0 to +50°C (no freezing)	
Operating Humidity	10 to 90% RH (no condensation)	
Storage Temperature	-20 to +60°C (no freezing)	
Storage Humidity	10 to 90% RH (no condensation)	
Pollution Degree	2 (IEC 60664-1)	
Corrosion Immunity	Atmosphere free from corrosive gases	
Vibration Resistance (damage limits)	10 to 20 Hz amplitude 0.625 mm, 20 to 55 Hz acceleration 9.8 m/s ² , 2 hours per axis on each of three mutually perpendicular axes	
Shock Resistance (damage limits)	147 m/s ² , 11 ms, 5 shocks on each of three mutually perpendicular axes	
Noise Immunity	Fast transient/burst test, Common mode: Level 3, Power terminals: ±2 kV, Communication line: ±1 kV (IEC 61000-4-4)	IEC610004-4
Electrostatic Discharge	ESD-3 (RH-1), Level 3, (contact ±6 kV, air ±8 kV) (IEC 61000-4-2)	IEC61000-4-2
Mounting	Panel mounting	
Degree of Protection	IP65, NEMA Type 13 (operator)	
Dimensions	147W × 76H × 39.3D mm	
Weight (approx.)	280g	

Operation Specifications

Switching Element	Analog resistive membrane
Operating Force	0.2 to 0.8N
Mechanical Life	1,000,000 operations
Acknowledge Sound	Electronic buzzer

Function Specifications

Screen Types	Base screen, popup screen, system screen
No. of Screens	Base screen: 3000 max., popup screen: 3000 max.
User Memory	1 MB (including expansion fonts)
Parts	Bit Button, Word Button, Goto Screen Button, Print Button, Key Button, Multi Switch Keypad, Selector Switch, Potentiometer, Numerical Input, Character Input, Pilot Lamp, Multi-State Lamp, Picture Display, Message Display, Message Switching Display, Alarm List Display, Alarm Log Display, Numerical Display, Bar Graph, Trend Chart, Pie Chart, Meter, Calendar, Bit Write Command, Word Write Command, Goto Screen Command, Multi Command, Print Command, Screen Script Command, Timer
Calendar	Year, Month, Day, Hour, Min., Sec., Day of Week ±30 sec per month (at 25°C)
Power Failure Backup Data	Calendar, log data, keep internal relay, keep internal register
Battery Life	Recommended replacement span: 4 years (at 25°C)

Display Specifications

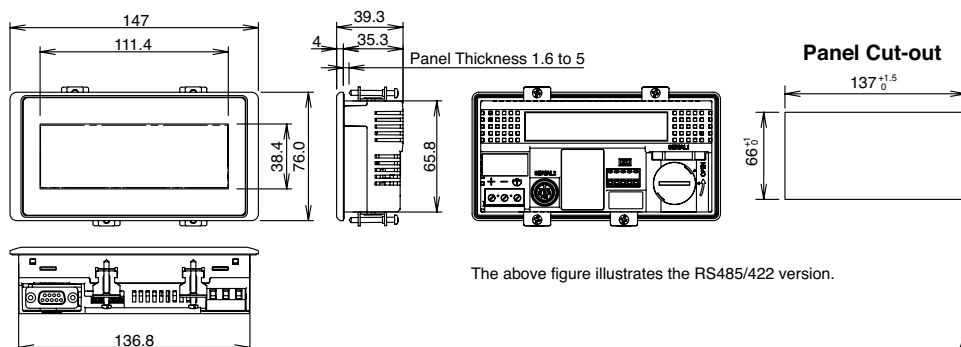
LCD	Monochrome STN	
Effective Display Area	111.4W × 38.4H mm	
Display Resolution	300W × 100H pixels	
LCD Life	50,000 hours minimum	
Contrast Adjustment	Possible in steps using the front touch screen	
Backlight	Cold-cathode tube	
Backlight Life	50,000 hours nominal (Note)	
Backlight Control	Automatic OFF	
Backlight Replacement	Possible	
Display Character Size	1/4 size	8 × 8 pixels (Western European language: ISO 8859-1, Central European language: ANSI 1250, Baltic: ANSI1257, Cyrillic: ANSI1251, Japanese katakana and symbols: JIS 8-bit code)
	1/2 size	8 × 16 pixels (Western European language: ISO 8859-1, Central European language: ANSI 1250, Baltic: ANSI1257, Cyrillic: ANSI1251, Japanese katakana and symbols: JIS 8-bit code) 16 × 32 pixels, 24 × 48 pixels, 32 × 64 pixels (Western European language: ISO 8859-1)
	Full size	16 × 16 pixels (Japanese JIS first and second level characters, simplified Chinese, traditional Chinese, Korean)
	Double size	32 × 32 pixels (Japanese JIS first level characters, Mincho font)
Quantity of Characters	1/4 size	37 characters × 12 lines
	1/2 size	37 characters × 6 lines
	Full size	18 characters × 6 lines
	Double size	9 characters × 3 lines
Character Magnification	0.5, 1, 2, 3, 4, and 8 vertically and horizontally	
Character Attribute	Blink (1 or 0.5 sec period), reverse, bold, shadowed	
Graphics Type	Straight line, polyline, rectangle, circle, ellipse, arc, pie, equilateral polygons (3, 4, 5, 6, 8), paint, bitmap image	
Window Display	3 popup screens + 1 system screen	

Note: The backlight life refers to the time until the surface brightness reduces to a half after using continuously at room temperatures.

Interface Specifications

RS232C	Electrical Characteristics	EIA RS232C compliant
	Transmission Speed	1200, 2400, 4800, 9600, 19200, 38400, 57600, 115200 bps
	Synchronization	Asynchronous
	Communication Method	Half or full duplex
	Control System	Hardware control or none
RS485/RS422	Electrical Characteristics	EIA RS485/RS422 compliant
	Transmission Speed	1200, 2400, 4800, 9600, 19200, 38400, 57600, 115200 bps
	Synchronization	Asynchronous
	Communication Method	Half or full duplex
	Control System	Hardware control or none
Maintenance Communication	Connector	RS485: D-sub 9-pin female connector RS422: 5-pole terminal block
	Electrical Characteristics	EIA RS232C compliant
	Transmission Speed	9600, 19200, 38400, 57600, 115200 bps
	Synchronization	Asynchronous
	Communication Method	Half duplex, proprietary protocol
O/I Link Communication	Connector	Mini DIN 8-pin connector
	Electrical Characteristics	EIA RS485 compliant
	Transmission Speed	19200, 38400, 57600, 115200 bps
	Synchronization	Asynchronous
	Communication Method	Half duplex, proprietary protocol
Connector	Special connector	

Dimensions



All dimensions in mm.

Specifications and other descriptions in this brochure are subject to change without notice.



IDEC CORPORATION

6-64, Nishi-Miyahara 2-Chome, Yodogawa-ku, Osaka 532-0004, Japan
Tel: +81-6-6398-2527, Fax: +81-6-6398-2547
E-mail: marketing@idec.co.jp

IDEC CORPORATION (USA)

1175 Elko Drive, Sunnyvale, CA 94089-2209, USA
Tel: +1-408-747-0550 / (800) 262-IDECE (4332)
Fax: +1-408-744-9055 / (800) 635-6246
E-mail: opencontact@idec.com

IDEC CANADA LIMITED

3155 Pepper Mill Court, Unit 4
Mississauga, Ontario, L5L 4X7, Canada
Tel: +1-905-890-8561, Toll Free: (888) 317-IDECE (4332)
Fax: +1-905-890-8562
E-mail: sales@ca.idec.com

IDEC AUSTRALIA PTY. LTD.

Unit 17, 104 Ferntree Gully Road,
Oakleigh, Victoria 3166, Australia
Tel: +61-3-8523-5900, Toll Free: 1800-68-4332
Fax: +61-3-8523-5999
E-mail: sales@au.idec.com

IDEC ELEKTROTECHNIK GmbH

Heselstruecken 8, 22453 Hamburg, Germany
Tel: +49-40-25 30 54 - 0, Fax: +49-40-25 30 54 - 24
E-mail: service@eu.idec.com

IDEC (SHANGHAI) CORPORATION

Room 701-702 Chong Hing Finance Center,
No. 288 Nanjing Road West, Shanghai 200003, PRC
Tel: +86-21-6135-1515
Fax: +86-21-6135-6225 / +86-21-6135-6226
E-mail: idecS@cn.idec.com

IDEC (BEIJING) CORPORATION

Room 211B, Tower B, The Grand Pacific Building,
8A Guanghua Road, Chaoyang District,
Beijing 100026, PRC
Tel: +86-10-6581-6131, Fax: +86-10-6581-5119

IDEC (SHENZHEN) CORPORATION

Unit AB-3B2, Tian Xiang Building, Tian'an Cyber Park,
Fu Tian District, Shenzhen, Guang Dong 518040, PRC
Tel: +86-755-8356-2977, Fax: +86-755-8356-2944

IDEC IZUMI (H.K.) CO., LTD.

Unit G & H, 26/F, MG Tower, No. 133 Hoi Bun Road,
Kwun Tong, Kowloon, Hong Kong
Tel: +852-2803-8989, Fax: +852-2565-0171
E-mail: info@hk.idec.com

IDEC TAIWAN CORPORATION

8F-1, No. 79, Hsin Tai Wu Road, Sec. 1,
Hsi-Chih District, 22101 New Taipei City, Taiwan
Tel: +886-2-2698-3929, Fax: +886-2-2698-3931
E-mail: service@tw.idec.com

IDEC IZUMI ASIA PTE. LTD.

No. 31, Tannery Lane #05-01,
HB Centre 2, Singapore 347788
Tel: +65-6746-1155, Fax: +65-6844-5995
E-mail: info@sg.idec.com

IDEC ASIA (THAILAND) CO.,LTD.

20th Fl., Sorachai Bldg., No.23/78,
Soi Sukhumvit 63, Sukhumvit Rd.,
Klongton-nua, Wattana, Bangkok 10110
Tel: +662-392-9765, Fax: +662-392-9768
E-mail: sales@th.idec.com

www.idec.com

Cat. No. EP1602-0 MARCH 2016 PDF