

FT1J 4.3inch PLC+HMI

Compact yet Powerful All-in-One PLC and HMI



Product Description

The compact FT1J series 4.3-inch all-in-one unit combines PLC and HMI to deliver high performance and efficiency. Its dual CPU architecture optimizes scan times, while the onboard and expandable I/O provide flexibility for various applications. The PCAP touch panel offers excellent visibility, durability, and functionality, supporting multi-touch, thin gloves, and water droplet prevention for reliable operation. With support for open communication protocols and IIoT features, this unit is perfect for modern industrial environments.

Key Features

- Onboard I/O and Expandable I/O
- -20 to +55°C Operating Temp.
- 480 x 272 pixels Display Resolution
- Built-in Analog Inputs and Outputs
- MQTT, EtherNet/IP, Modbus, BACnet/IP
- RTD/Thermocouple, PID, PWM and Custom Web Page
- Remote Access, FTP, Email, Mobile App and Multiple Protocols

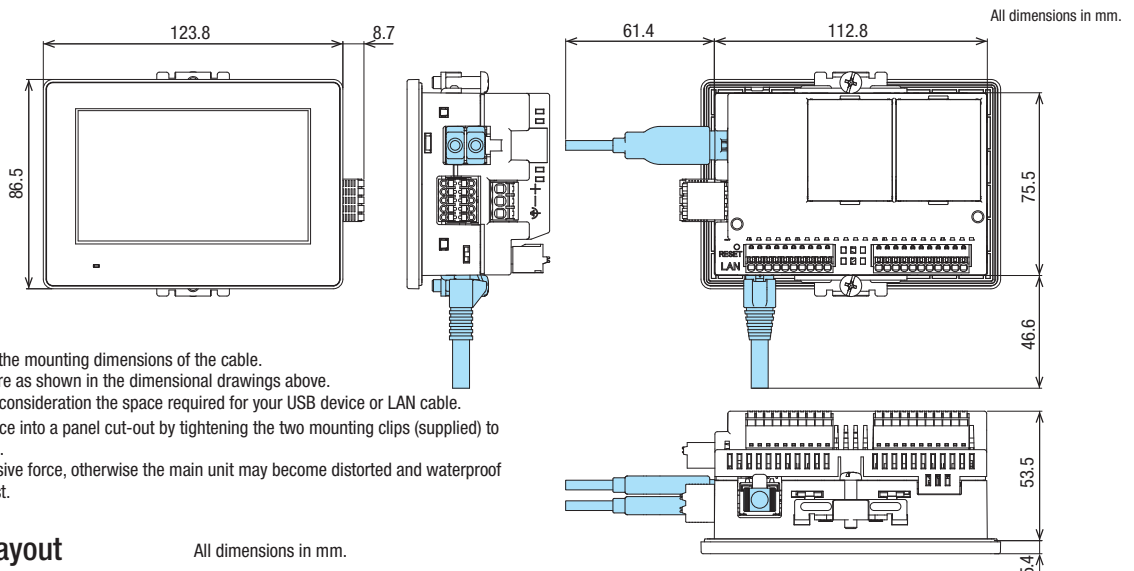


FT1J

Quantity: 1

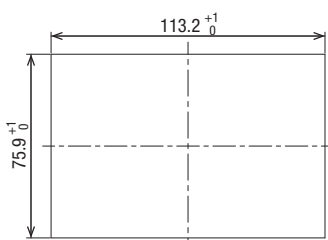
Display screen	Operation style	Communication interface	Bezel color	Approvals	Input specifications		Output	Part No.
					Digital input	Analog input		
4.3-inch wide TFT color LCD 16 Million colors	PCAP touchscreen (Projected capacitive)	Serial interface (RS232C, RS422/485), Ethernet, USB	Black	UL 61010-1 UL 61010-2-201 UL 121201 CSA C22.2 No.61010-1-12 CSA C22.2 No.61010-2-201 CSA C22.2 No.213	8 points total (sink or source) (2 of them configurable as analog inputs)	2 point	4 point 2A relay output	FT1J-4F12RAG-B
							4 point transistor sink output	FT1J-4F14KAG-B
			2 point analog output				FT1J-4F14SAG-B	
			4 point transistor source output				FT1J-4F14SAG-B	
4.3-inch wide TFT color LCD 16 Million colors	PCAP touchscreen (Projected capacitive)	Serial interface (RS232C, RS422/485), Ethernet, USB	Silver	UL 61010-1 UL 61010-2-201 UL 121201 CSA C22.2 No.61010-1-12 CSA C22.2 No.61010-2-201 CSA C22.2 No.213	8 points total (sink or source) (2 of them configurable as analog inputs)	2 point	2 point analog output	FT1J-4F12RAG-S
							4 point 2A relay output	FT1J-4F12RAG-S
			4 point transistor sink output				FT1J-4F14KAG-S	
			2 point analog output				FT1J-4F14SAG-S	
4.3-inch wide TFT color LCD 16 Million colors	PCAP touchscreen (Projected capacitive)	Serial interface (RS232C, RS422/485), Ethernet, USB	Silver	UL 61010-1 UL 61010-2-201 UL 121201 CSA C22.2 No.61010-1-12 CSA C22.2 No.61010-2-201 CSA C22.2 No.213	8 points total (sink or source) (2 of them configurable as analog inputs)	2 point	4 point transistor source output	FT1J-4F14SAG-S
							2 point analog output	FT1J-4F14SAG-S

Dimensions



Mounting hole layout

All dimensions in mm.



General Specifications

Electrical	Rated power voltage	24V DC
	Power voltage range	20.4 to 28.8V DC
	Power consumption	Backlight off 3W maximum when not using USB1, USB2, IN, OUT, Slot 1, Slot 2
		5W when not using USB1, USB2, IN, OUT, Slot 1, Slot 2 13W maximum (FT1J-4F12RAG-) 15W maximum (FT1J-4F14KAG- , FT1J-4F14SAG-*)
Allowable instantaneous blackout period	10ms maximum (power supply voltage: 24.0V DC) 5ms maximum (power supply voltage: 20.4V DC)	
Inrush Current	40A maximum	
Environmental	Operating temperature	-20 to +55°C (no freezing)
	Operating humidity	10 to 95%RH (no condensation)
	Storage temperature	-20 to +70°C (no freezing)
	Storage humidity	10 to 95%RH (no condensation)
	Pollution degree	2
	Corrosion immunity	Free from corrosive gases
Mechanical	Vibration resistance	5 to 8.4Hz single amplitude 3.5mm, 8.4 to 150Hz acceleration 9.8m/s ² (10 times each in 3 axes) (IEC 61131-2)
	Shock resistance	FT1J-4F12RAG-*: 98m/s ² 11ms FT1J-4F14KAG-*, FT1J-4F14SAG- : 147m/s ² 11ms (3 times in each in 3 axes) (IEC 61131-2)
Noise	First transient/burst	±2kV (power supply terminal) ±1kV (communication line)
	Electrostatic discharge	±6kV (contact discharge) ±8kV (air discharge)
Structure	Mounting	Panel mount (panel thickness: 1.0 to 5.0mm)
	Degree of Protection	When panel thickness is between 1mm and 1.6mm: IP65F (IEC 60529) When panel thickness is between 1.6mm and 5mm: IP66F, IP67F (IEC 60529), TYPE 4X (indoor use only), TYPE 13
	Dimensions	123.8 (W) x 86.5 (H) x 58.9 (D) mm
	Weight (approx.)	320g

Display Specifications

Display	TFT color LCD	
Color / Shade	16,770,000 colors (24-bit color)	
Effective display area	95.04 (W) x 53.856 (H) mm	
Display resolution	480 (W) x 272 (H) dot	
Dot pitch	0.198 (W) x 0.198 (H) mm	
View angle	Left/right/top/bottom: 80°	
Backlight	White LED	
Backlight life	50,000 hours standard	
Brightness	500 cd/m ² (Typ.)	
Brightness adjustment	32 levels	
Character code	Shift_JIS (Japanese)	ANSI 1250 (Central European)
	ISO 8859-1 (European)	ANSI 1257 (Baltic)
	GB2312 (Simplified Chinese)	ANSI 1251 (Cyrillic)
	BIG5 (Traditional Chinese)	ASCII (7 seg)
	KSC5601 (Hangul)	
Number of display characters	Font size 16 (default): 60 characters x 11 lines	
Character attribute	Bold, shadowed, blink (1 or 0.5 sec period)	
Graphics	Straight line, continuous line, rectangle, circle, arc, fan, ellipse, equilateral polygon (3, 4, 5, 6, 8), bitmap shape	
Window display	3 popup screens + 1 system screen	

Operation Specifications

Switching element	PCAP touchscreen (projected capacitive)
Multiple press	Up to 2 points
Acknowledgment sound	Electronic buzzer

Function Specifications

Screen types	Base screen, popup screen, system screen
Number of screens	Base screen: 3000 maximum Popup screen: 3015 maximum
User memory	HMI function :24MB approx. Control function : 96KB (equivalent to 12,000 steps)
Parts	Bit Button, Word Button, Goto Screen, Print Button, Key Button, Multi Button, Keypad, Numerical Input, Character Input, Pilot Lamp, Multi-State Lamp, Picture Display, Message Display, Message Switching Display, Alarm List Display, Alarm Log Display, Data Log Display, Numerical Display, Bar Graph, Trend Chart, Pie Chart, Meter, Calendar, Bit Write Command, Word Write Command, Goto Screen Command, Print Command, Timer, Screen Script Command, Multi Command
Backup data (Stored in nonvolatile memory)	HMI function: HMI keep relay, HMI keep register, log data Control function: Internal relay, shift register, counter, data register, special data register, special internal relay
Calendar (Stored in a large capacity capacitor)	Year, Month, Day, Hour, Min., Sec., Day of Week ±60 sec per month (at 25°C)
Clock backup time	20 days (at operating temperature of 25°C) (*1)

*1) If the power is cut off for a certain amount of time, the clock data will be initialized to "00:00:00 January 1, 2000" at the next start up. Log data, HMI keep relay, HMI keep register is stored in a volatile memory so there is no backup time limit.

Interface Specifications

Serial interface (COM) (*2)	RS232C	Electrical characteristics	EIA RS232C compliant
		Transmission speed	1200/2400/4800/9600/ 19,200/38,400/57,600/ 115,200/187,500 bps (*3)
		Synchronization	Asynchronous
		Communication method	Half or full duplex
		Control system	Hardware control or none
		Connector	Detachable 10-pin terminal block
	RS422 / 485	Electrical characteristics	EIA RS422/485 compliant
		Transmission speed	1200/2400/4800/9600/ 19,200/38,400/57,600/ 115,200/187,500 bps (*3)
		Synchronization	Asynchronous
		Communication method	Half or full duplex
		Control system	None
		Connector	Detachable 10-pin terminal block
Ethernet interface (LAN)	Interface specifications	IEEE802.3u (10BASE-T/100BASE-TX) compliant	
	Connector	Modular jack (RJ-45)	
USB interface (USB1) (*4)	Interface specifications	USB2.0 High speed (480Mbps)	
	Connector	USB Type A connector	
USB interface (USB2) (*4)	Interface specifications	USB2.0 High speed (480Mbps)	
	Connector	USB Type A connector	

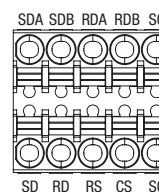
*2) RS232C and RS 422/485 can be used simultaneously

*3) 187,500 bps is available only with SIEMENS SIMATIC S7-300/400 series (MPI port direct connection).

*4) USB output current varies depending on the mounting direction and ambient temperature.

Serial Interface Connector Terminal Arrangement

Name	I/O	Function	Communication
SD	OUT	Sent data	RS232C
RD	IN	Receive data	
RS	OUT	Request to send	
CS	IN	Clear to send	
SG	-	Signal ground	RS422/485
SDA	OUT	Send data "+"	
SDB	OUT	Send data "-"	
RDA	IN	Receive data "+"	
RDB	IN	Receive data "-"	
SG	-	Signal ground	



Performance Specifications

Part No.		FT1J-4F14KAG-	FT1J-4F14SAG-	FT1J-4F12RAG-	
Instruction words (control function)	Basic instructions	42			
	Advanced instructions	109			
Number of user program downloads		1000 times			
Processing time (control function)	Basic instructions	100µs/1000 steps			
	END processing	2ms			
Built-in I/O points	Input	Digital	6 point (source) 6 point (sink)		
		Analog/Digital common	2 (0 to 10V DC/4 to 20mA, 12-bit resolution) / (sink)		
	Output	Relay	-	-	4 (2A)
		Transistor sink	4	-	-
		Transistor source	-	4	-
		Analog	2 (0-10V DC/4-20mA, 12-bit resolution)		-
Cartridge	Number of slots	2			
	Connectable cartridge types	7 (Digital I/O cartridges: 3 analog I/O cartridges: 4)			
	Expandable I/O points	Digital I/O: 8 maximum Analog I/O: 4 maximum			
High-speed counter	Single/two-phase common	1 (2 times: 10kHz, 4 times: 5kHz)			
	Single phase only	4 (20kHz)			
Pulse output	Number of points	4	-	-	
	Maximum response frequency	20KHz	-	-	
	Function	PULS and PWM instructions	-	-	
Number of devices (control function)	Internal relay	6400			
	Special internal relay	144			
	Shift register	128			
	Data register	4000			
	Special data register	200			
	Additional/reversible counters	200			
Timer (1ms, 10ms, 100ms, 1s)	200				

Input Specifications

Part No.		FT1J-4F14KAG-	FT1J-4F14SAG-	FT1J-4F12RAG-	
Digital Input	Input points	6			
	Input type	Source	Sink		
	Input voltage range	0 to 28.8V DC			
	Rated input current	I0 to I5	5.2mA/ 1 point	4.6mA/ 1 point	
	Input impedance	I0 to I5	4.7kΩ	5.2kΩ	
	Input delay time	OFF → ON	I0 to I5: 25µs + soft filter setting		
		ON → OFF	I0 to I5: 25µs + soft filter setting		
	Isolation	Between input terminals	Not isolated		
		Internal circuit	Not isolated		
	Input type	Type1 (IEC 61131-2)			
	External load for I/O interconnection		Not needed		
	Operating level	OFF voltage	5V DC maximum		
ON voltage		15V DC minimum			
OFF current		1.0mA maximum			
ON current		2.9mA minimum	3.0mA minimum		
Analog Input (common digital input)	Number of inputs	2			
	Input style	Voltage/current input (selectable)			
	Input range	0 to 10V DC / 4 to 20mA			
	Sampling duration time	5ms maximum			
	Total input delay time	6ms + 1 scan time			
	Analog resolution		4096 (12 bit)		
	Input error	25°C	±3% of full scale		
		Total	±5% of full scale		
	Isolation	Between input terminals	Not isolated		
		Internal circuit	Not isolated		
	When used as digital input	Digital input type	Type 1 (not conforming to IEC 61131-2)		
		Operating Level	OFF voltage	5V DC maximum	
ON voltage			15V DC minimum		
OFF current			0.06mA maximum		
ON current			0.20mA minimum		

Output Specifications

Transistor output	Output type / points	Transistor sink	4	
		Transistor source	4	
	Rated load voltage	24V DC		
	Input voltage range	20.4 to 28.8V DC		
	Maximum load current	1 point	0.5A maximum	
		1 common	2A maximum	
	Voltage drop (ON voltage)	1V maximum (voltage between COM and output terminals when on)		
	Maximum inrush current	1A		
	Leakage current	0.1mA maximum		
	Inductive load	L/R = 10ms (28.8V DC, 1Hz)		
Relay output (2)	External current draw		100mA maximum 24V DC	
	Isolation			Photocoupler-isolated
	Output delay time	OFF → ON	Q0 to Q3: 25µs maximum	
		ON → OFF	Q0 to Q3: 25µs maximum	
	Output points		4	
	Rated load current		240V AC 2A 30V DC 2A	
	Minimum switching load		1mA/5V DC (reference value)	
	Initial contact resistance		30mΩ maximum	
	Electrical life		100,000 times min. (resistance load: 1800 operations/hour)	
	Mechanical Life		20 million times min. (no load: 18,000 operations/hour)	
Analog output	Output points		2 points	
	Output type		Voltage/current output (selectable)	
	Output range		0 to 10V DC / 4 to 20mA	
	Output load impedance		2kΩ minimum (voltage) 500Ω maximum (current)	
	Output load type		Resistive load	
	Maximum error at 25°C		±0.3% of full scale	
	Temperature coefficient		±0.02% of full scale/°C	
	Reproducibility after stability time		±0.4% of full scale	
	Non-linearity		±0.01% of full scale	
	Output ripple		30mV maximum	
	Overshoot		0% (*1)	
	Overall accuracy		±1.0% of full scale	
Effects of improper output connection		None		
Digital resolution		4096 (12 bit)		
Monotonicity		Yes		
Open current loop		Cannot be detected		

*1) Overshoot may occur under light load conditions. Overshoot can be suppressed by inserting a damping resistor.
Damping resistor value: approx. 150Ω including the input impedance.
*2) If the output voltage exceeds 200V AC, use adjacent COMs with a single power supply.

Cartridge

Digital I/O Cartridge Specifications

Input Cartridge

Part No.		FC6A-PN4
Input points		4 points (4/1 common)
Rated input voltage		12/24V DC sink/source common
Operating input voltage range		0 to 28.8V DC
Rated input current		2.5mA / 1 point (12V DC) 5mA / 1 point (24V DC)
Input impedance		4.4kΩ
Operating level	OFF voltage	Less than 5V
	ON voltage	8.5V minimum
	OFF current	Less than 0.9mA
	ON current	1.7mA minimum (at applied voltage of 8.5V)
Input delay time (24V DC)	OFF → ON	0.5ms
	ON → OFF	0.5ms
Isolation		Between channels: Not isolated Internal circuit: Photocoupler-isolated
I/O connection		No external load required for I/O interconnection
Signal determination method		Static
Effect of improper input connection		Both sink and source can be connected. However, if voltage exceeding the rated value is applied, permanent damage may be caused.
Cartridge internal current draw	All ON	35mA (3.3V DC) 0mA (5V DC)
	All OFF	30mA (3.3V DC) 0mA (5V DC)
Cartridge internal power consumption (at 24V DC while all inputs are ON)		0.10W
Cable length		3m in compliance with electromagnetic immunity
Applicable rod terminal		For 1-wire: Al 0.5-6 WH (manufactured by Phoenix Contact)
Weight (approx.)		15g

Output Cartridge

Part No.		FC6A-PTK4	FC6A-PTS4
Output points		4 points sink output (4/1 common)	4 points source output (4/1 common)
Rated load voltage		12/24V DC	
Input voltage range		10.2 to 28.8V DC	
Load current	1 point	0.1A maximum	
	1 common	0.4A maximum	
Output delay time	ON → OFF	450us maximum	
	OFF → ON	450us maximum	
Isolation		Between input terminals: Non-isolated Internal circuit: Photocoupler-isolated	
Voltage drop (ON voltage)		1V maximum (voltage between COM and output when on.)	
Allowable inrush current		1A maximum	
Leakage current		Less than 0.1mA	
Clamping voltage		Approx. 50V	
Lamp load		2.4W maximum	
Inductive load		L / R=10ms (28.8V DC, 1Hz)	
External current draw		100mA maximum 24V DC (+V terminal supply power)	100mA maximum 24V DC (-V terminal supply power)
Overcurrent protection		No	
Cartridge internal current draw	All outputs ON	35mA (3.3V DC) 0mA (5V DC)	
	All outputs OFF	30mA (3.3V DC) 0mA (5V DC)	
Cartridge internal power consumption: (at 24V DC while all outputs ON)		0.10W	
Applicable rod terminal		For 1-wire: Al 0.5-6 (manufactured by Phoenix Contact)	
Weight (approx.)		15g	

Cartridge

Analog Cartridge

Performance Specifications

Part No.	FC6A-PJ2A	FC6A-PJ2CP	FC6A-PK2AV	FC6A-PK2AW
Type	Voltage / current input		Temperature input	Voltage output
I/O points	2		2	2
Rated voltage	5.0V, 3.3V (supplied from main unit)			
Current draw	5.0V: - 3.3V: 30mA		5.0V: 70mA 3.3V: 30mA	5.0V: 185mA 3.3V: 30mA
Weight	15g			

Input Specifications

Part No.	FC6A-PJ2A		FC6A-PJ2CP		
Type	Voltage input	Current input	Resistance thermometer	Thermocouple	
Input range	0 to 10V DC	4 to 20mA DC 0 to 20mA DC	Pt100 : -200 to +850°C Pt1000: -200 to +600°C Ni100 : -60 to +180°C Ni1000 : -60 to +180°C 3-wire RTD	K: -200 to 1300°C J: -200 to 1000°C R: 0 to 1760°C S: 0 to 1760°C B: 0 to 1820°C E: -200 to 800°C T: -200 to 400°C N: -200 to 1300°C C: 0 to 2315°C	
Input impedance	1MΩ minimum	250Ω maximum	1MΩ minimum		
Allowable conductor resistance	-		10Ω maximum	-	
Input detection current	-		Typ: 0.2mA, 1.0mA maximum		
AD Conversion	Sampling duration time	10ms	250ms		
	Sampling interval	20ms	500ms		
	Total input delay time	20ms + scan time		500ms + scan time	
	Type of input	Single-ended input			
	Operation mode	Self-scan			
Conversion method	SAR				
Input error	Maximum error at 25°C	±0.1% of full scale	±0.1% of full scale	0.1% of full scale Cold junction compensation accuracy ±4.0°C max. [Exceptions] R, S Thermocouple error: ±6.0°C (0 to 200°C range only) B Thermocouple error: not guaranteed (0 to 300°C range only) K, J, E, T, N Thermocouple error: ±0.4% of full scale (0°C or lower range only)	
	Temperature coefficient	±0.02%/°C of full scale			
	Reproducibility after stabilization time	±0.5% of full scale			
	Non-linearity	±0.01% of full scale			
	Total error	±1.0% of full scale			
	Digital resolution	4096 (12 bits)		Pt100 : 10500 (14 bits) Pt1000 : 8000 (13 bits) Ni100 : 2400 (12 bits) Ni1000 : 2400 (12 bits)	K: 15,000 (14 bits) J: 12,000 (14 bits) R: 17,600 (15 bits) S: 17,600 (15 bits) B: 18,200 (15 bits) E: 10,000 (14 bits) T: 6000 (13 bits) N: 15,000 (14 bits) C: 23,150 (15 bits)
LSB input value	2.44mV (0 to 10V DC)	4.88µA (0 to 20mA DC) 3.91µA (4 to 20mA DC)	0.1°C 0.18°F		
Data format in application	Can be arbitrarily set for each channel in the range of -32,768 to 32,773				
Monotonicity	Yes				
Noise resistance	Maximum temporary Deviation during electrical noise tests	±4.0% of full scale maximum			
	Recommended cable	Shielded	-		
	Crosstalk	1 LSB maximum			
Insulation	None				
Effect when input is incorrectly wired	No damage				
Maximum allowable constant load (non-destructive)	13V DC	40mA	13V DC		
Input type modification	Soft programming				
Calibration to maintain rated accuracy	Impossible				










Output Specifications

Part No.	FC6A-PK2AV	FC6A-PK2AW
Type	Voltage output	Current output
Output type	Voltage output	0 to 10V DC
	Current output	-
Load	Impedance	2kΩ minimum
	Load type	500Ω maximum
D/A conversion	Scan time	20ms
	Settling time	40ms maximum
	Total output delay time	60ms + Scan time
Output error	Maximum error at 25°C	±0.3% of full scale
	Temperature coefficient	±0.02% / °C of full scale
	Reproducibility after stability time	±0.4% of full scale
	Non-linearity	±0.01% of full scale
	Output ripple	30mV maximum
	Overshoot	0%
	Overall accuracy	±1.0% of full scale
	Effect of improper output terminal connection	No damage
Data	Digital resolution	4096 (12 bits)
	LSB output value	2.44mV (0 to 10V) / 3.91µA (4 to 20mA)
	Data format in application	0 to 4095 (0 to 10V) / 0 to 4095 (4 to 20mA)
	Monotonicity	Yes
Noise Resistance	Maximum temporary deviation during electrical noise tests	±4.0% of full scale maximum
	Recommended cables	Shielded
	Crosstalk	1 LSB maximum
Isolation	None	
Calibration to maintain rated accuracy	Impossible	
Selection of output signal type	Voltage output only	Current output only

Applicable wire

Part No.	FC6A-PJ2A	FC6A-PJ2CP	FC6A-PK2AV	FC6A-PK2AW
Applicable wires and specifications	0.3mm ² (AWG20 to 24) Shielded	0.3mm ² (AWG20 to 24) Shielded	0.3mm ² (AWG20 to 24) Shielded	

Accessories

Name / Shape		Part No.	Quantity	Specification	
System integration software		SW1A-W1C	1	Automation Organizer (Includes WindO/I-NV4)	
Protective film		HG9Z-1E4PN05	5	Protective film to cover the panel surface. (Includes 5 pcs)	Dimensions: 120.8 x 83.5 mm Thickness: 0.153 mm
UV protective sheet		FT9Z-1E4PN05		Protective film to protect the panel surface from UV. Spray with water to attach. (Includes 5 pcs)	
USB relay port		CW1X-USB20-1M	1	Bezel color: black	Install on control panels to connect the USB connector. Cable length: 1m USB2.0 TypeA
		CW4X-USB20-1M		Bezel color: metallic	
RJ45 relay port		CW1X-RJ45	1	Bezel color: black	Install on control panels to connect the LAN cable of the RJ45 connector. Ethernet interface
		CW4X-RJ45		Bezel color: metallic	
Rubber cap (*1)		CW9Z-D1X1	1	Protective rubber caps for USB relay port and RJ45 relay port Material: TPE Color: black Protection: IP65/67	
Plastic cover (*1)		CW9Z-D1X2	1	Plastic cover for protection of USB relay port and RJ45 relay port Material Lens: Polycarbonate resin Body: Polyamide resin Packing: NBR Color: Translucent Protection: IP65/67	
Digital I/O cartridge	Digital input		FC6A-PN4	1	Digital input (4 points)
	Digital output		FC6A-PTK4	1	Transistor sink output (4 points)
Analog cartridge			FC6A-PTS4	1	Transistor source output (4 points)
			FC6A-PJ2A	1	Voltage current input (2 points)
			FC6A-PK2AV	1	Voltage output (2 points)
			FC6A-PK2AW	1	Current output (2 points)
	FC6A-PJ2CP		1	Temperature input (2 points)	
Connector for input terminal (for changing wiring direction)			FT9Z-XT10V	1	For FT1J Removable terminal block 10-pin, Screw type Not included with the main unit. Used for changing the wiring direction. (*2) (*3)
Connector for output terminal (for changing wiring direction)			FT9Z-XT11V	1	For FT1J Removable terminal block 11-pin, Screw type Not included with the main unit. Used for changing the wiring direction. (*2) (*4)

*1) Exclusive for CW series relay ports (CW1X /CW4X) and cannot be used for other models.

Refer to the instruction manual from the QR code on the right for details on how to use the product.






*2) Does not comply with UL requirements when used with FT1J-4F12RAG-B or FT1J-4F12RAG-S.

*3) Does not comply with UL requirements when FT9Z-XT10V (optional connector) is used. The tightening torque when connecting the cable is 1.7lb-in (0.2N·m).

*4) Does not comply with UL requirements when FT9Z-XT11V (optional connector) is used. The tightening torque when connecting the cable is 1.7lb-in (0.2N·m).



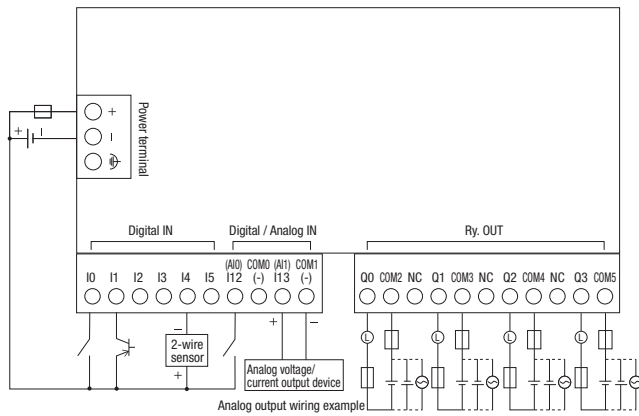
Maintenance Parts

Name	Shape	Part No.	Quantity	Specification
Mounting clip		HG9Z-4K2PN04	2	For FT1J 2 pieces (FT1J) are included in vthe main unit.
Serial interface connector		FT9Z-1T10P	1	For FT1J Removable terminal block 10-pin, push-in terminal One connector is supplied with the main unit.
Input terminal connector		FT9Z-XT10P	1	For FT1J Removable terminal block 10-pin, push-in terminal One connector is supplied with the main unit.
Output terminal connector		FT9Z-XT11P	1	For FT1J Removable terminal block 11-pin, push-in terminal One connector is supplied with the main unit.
Power supply terminal connector		FT9Z-1X03P	1	For FT1J Removable terminal block 3-pin, push-in terminal One connector is supplied with the main unit.

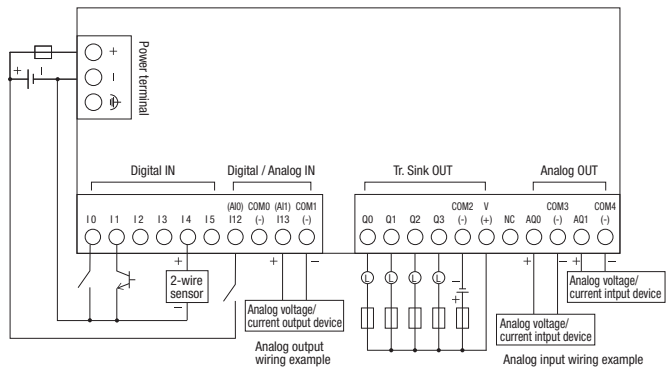
Terminal Layout and Wiring Example (For details, see the instruction manual.)

Fuse Load

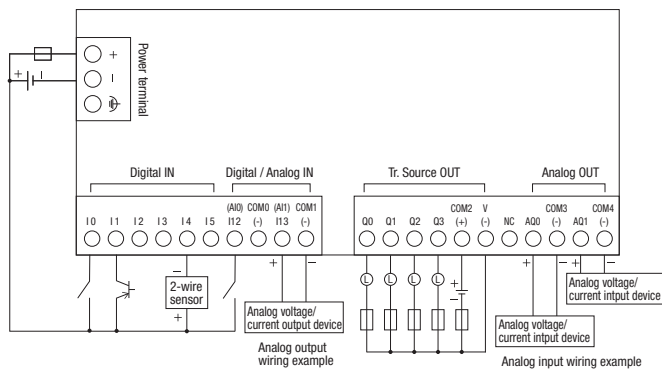
FT1J-4F12RAG-



FT1J-4F14KAG-



FT1J-4F14SAG-



Ordering Terms and Conditions

Thank you for using IDEC Products.

By purchasing products listed in our catalogs, datasheets, and the like (hereinafter referred to as "Catalogs") you agree to be bound by these terms and conditions. Please read and agree to the terms and conditions before placing your order.

1. Notes on contents of Catalogs

- (1) Rated values, performance values, and specification values of IDEC products listed in this Catalog are values acquired under respective conditions in independent testing, and do not guarantee values gained in combined conditions.
Also, durability varies depending on the usage environment and usage conditions.
- (2) Reference data and reference values listed in Catalogs are for reference purposes only, and do not guarantee that the product will always operate appropriately in that range.
- (3) The specifications / appearance and accessories of IDEC products listed in Catalogs are subject to change or termination of sales without notice, for improvement or other reasons.
- (4) The content of Catalogs is subject to change without notice.

2. Note on applications

- (1) If using IDEC products in combination with other products, confirm the applicable laws / regulations and standards.
Also, confirm that IDEC products are compatible with your systems, machines, devices, and the like by using under the actual conditions. IDEC shall bear no liability whatsoever regarding the compatibility with IDEC products.
- (2) The usage examples and application examples listed in Catalogs are for reference purposes only. Therefore, when introducing a product, confirm the performance and safety of the instruments, devices, and the like before use. Furthermore, regarding these examples, IDEC does not grant license to use IDEC products to you, and IDEC offers no warranties regarding the ownership of intellectual property rights or non-infringement upon the intellectual property rights of third parties.
- (3) When using IDEC products, be cautious when implementing the following.
 - i. Use of IDEC products with sufficient allowance for rating and performance
 - ii. Safety design, including redundant design and malfunction prevention design that prevents other danger and damage even in the event that an IDEC product fails
 - iii. Wiring and installation that ensures the IDEC product used in your system, machine, device, or the like can perform and function according to its specifications
- (4) Continuing to use an IDEC product even after the performance has deteriorated can result in abnormal heat, smoke, fires, and the like due to insulation deterioration or the like. Perform periodic maintenance for IDEC products and the systems, machines, devices, and the like in which they are used.
- (5) IDEC products are developed and manufactured as general-purpose products for general industrial products. They are not intended for use in the following applications, and in the event that you use an IDEC product for these applications, unless otherwise agreed upon between you and IDEC, IDEC shall provide no guarantees whatsoever regarding IDEC products.
 - i. Use in applications that require a high degree of safety, including nuclear power control equipment, transportation equipment (railroads / airplanes / ships / vehicles / vehicle instruments, etc.), equipment for use in outer space, elevating equipment, medical instruments, safety devices, or any other equipment, instruments, or the like that could endanger life or human health
 - ii. Use in applications that require a high degree of reliability, such as provision systems for gas / waterworks / electricity, etc., systems that operate continuously for 24 hours, and settlement systems
 - iii. Use in applications where the product may be handled or used deviating from the specifications or conditions / environment listed in the Catalogs, such as equipment used outdoors or applications in environments subject to chemical pollution or electromagnetic interference
If you would like to use IDEC products in the above applications, be sure to consult with an IDEC sales representative.

3. Inspections

We ask that you implement inspections for IDEC products you purchase without delay, as well as thoroughly keep in mind management/maintenance regarding handling of the product before and during the inspection.

4. Warranty

(1) Warranty period

The warranty period for IDEC products shall be three (3) years after purchase or delivery to the specified location. However, this shall not apply in cases where there is a different specification in the Catalogs or there is another agreement in place between you and IDEC.

(2) Warranty scope

Should a failure occur in an IDEC product during the above warranty period for reasons attributable to IDEC, then IDEC shall replace or repair that product, free of charge, at the purchase location / delivery location of the product, or an IDEC service base. However, failures caused by the following reasons shall be deemed outside the scope of this warranty.

- i. The product was handled or used deviating from the conditions / environment listed in the Catalogs
 - ii. The failure was caused by reasons other than an IDEC product
 - iii. Modification or repair was performed by a party other than IDEC
 - iv. The failure was caused by a software program of a party other than IDEC
 - v. The product was used outside of its original purpose
 - vi. Replacement of maintenance parts, installation of accessories, or the like was not performed properly in accordance with the user's manual and Catalogs
 - vii. The failure could not have been predicted with the scientific and technical standards at the time when the product was shipped from IDEC
 - viii. The failure was due to other causes not attributable to IDEC (including cases of force majeure such as natural disasters and other disasters)
- Furthermore, the warranty described here refers to a warranty on the IDEC product as a unit, and damages induced by the failure of an IDEC product are excluded from this warranty.

5. Limitation of liability

The warranty listed in this Agreement is the full and complete warranty for IDEC products, and IDEC shall bear no liability whatsoever regarding special damages, indirect damages, incidental damages, or passive damages that occurred due to an IDEC product.

6. Service scope

The prices of IDEC products do not include the cost of services, such as dispatching technicians. Therefore, separate fees are required in the following cases.

- (1) Instructions for installation / adjustment and accompaniment at test operation (including creating application software and testing operation, etc.)
- (2) Maintenance inspections, adjustments, and repairs
- (3) Technical instructions and technical training
- (4) Product tests or inspections specified by you

The above content assumes transactions and usage within your region. Please consult with an IDEC sales representative regarding transactions and usage outside of your region. Also, IDEC provides no guarantees whatsoever regarding IDEC products sold outside your region.

Related IDEC Products

Smart RFID Reader

KW2D



IP65 and IP67F rated for protection against water and oil. Ideal for use in harsh environments. The LED and buzzer make the operational status clear.

Bus Coupler Module

SX8R



Build the remote I/O system that meets your needs, along with compatible FC6A I/O modules.

Industrial Ethernet Switches

SX5E



Unmanaged Ethernet switches with diverse applications. Robust design and impressive versatility.

PLC

FC6A



MicroSmart Plus for control over larger machines or entire small-scale production lines.
Microsmart All-in-One for high performance and usability.

IDEC CORPORATION

USA Office 1175 Elko Drive Sunnyvale, CA 94089

 <https://us.idec.com>

Japan Head Office
EMEA APEM SAS

Singapore IDEC Izumi Asia Pte. Ltd.
Thailand IDEC Asia (Thailand) Co., Ltd.
India IDEC Controls India Private Ltd.

China IDEC (Shanghai) Corporation
IDEC Izumi (H.K.) Co., Ltd.
Taiwan IDEC Taiwan Corporation

Japan IDEC Corporation

Specifications and other descriptions in this brochure are subject to change without notice.
Information in this brochure is current as of Oct, 2024.
2024 IDEC Corporation, All Rights Reserved.

EP1831-0-FT1J-PLC-HMI-Datasheet-1 10/24 PDF Only

