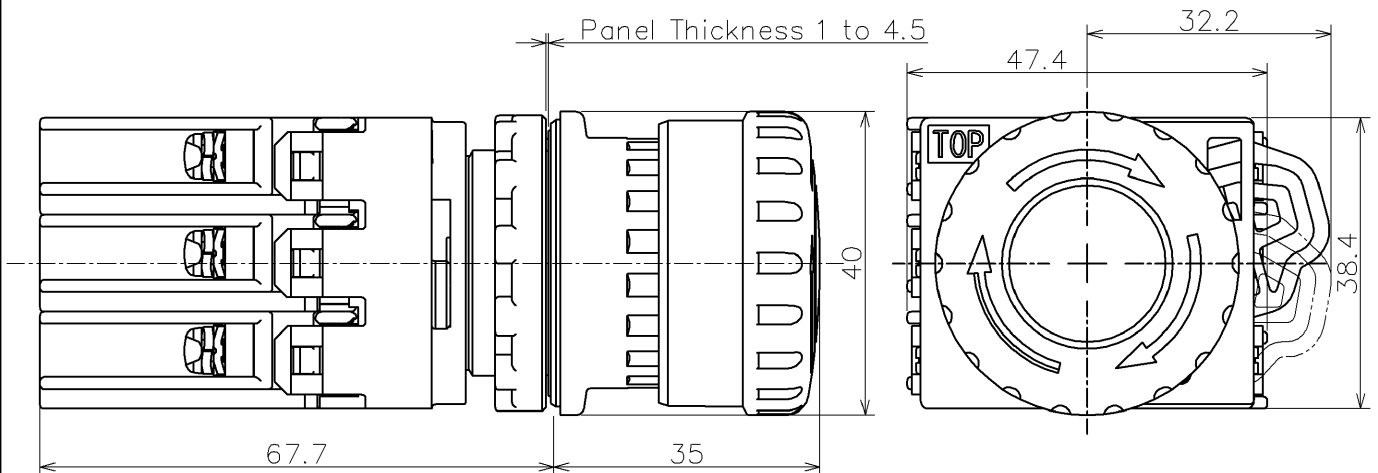
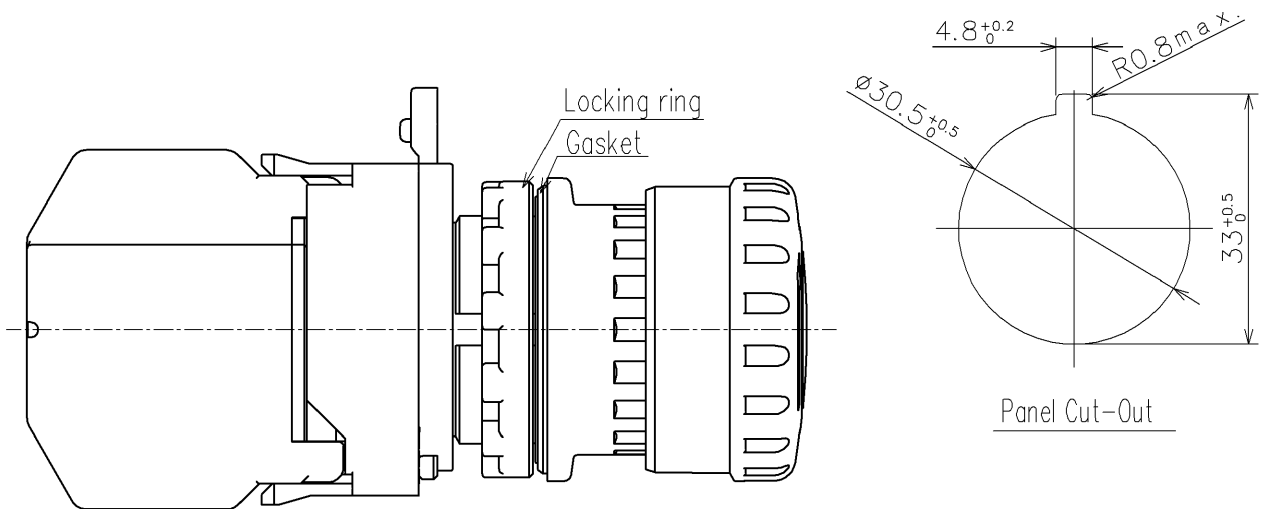


Operation type : Push-to-lock

Reset : Turn-to-reset, Pull-reset combined use

Contact arrangement(□□): 1b(01), 2b(02), 3b(03), 1a-1b(11), 1a-2b(12)

Button color : Red (R)



| | | | | |
|-------------|-------------|-------------|-------------|---|
| | | | | Product Name: EU2B SERIES EMERGENCY STOP SWITCHES |
| | | | | Type Number: EU2B-YBV3□□CR |
| Approved by | Y. Tsujioka | FEB.08,2024 | Dim.: mm | Outside View |
| Checked by | A. Tsumura | FEB.08,2024 | Drawing No. | |
| Drawn by | F. Takai | FEB.08,2024 | MA4-W00387B | |