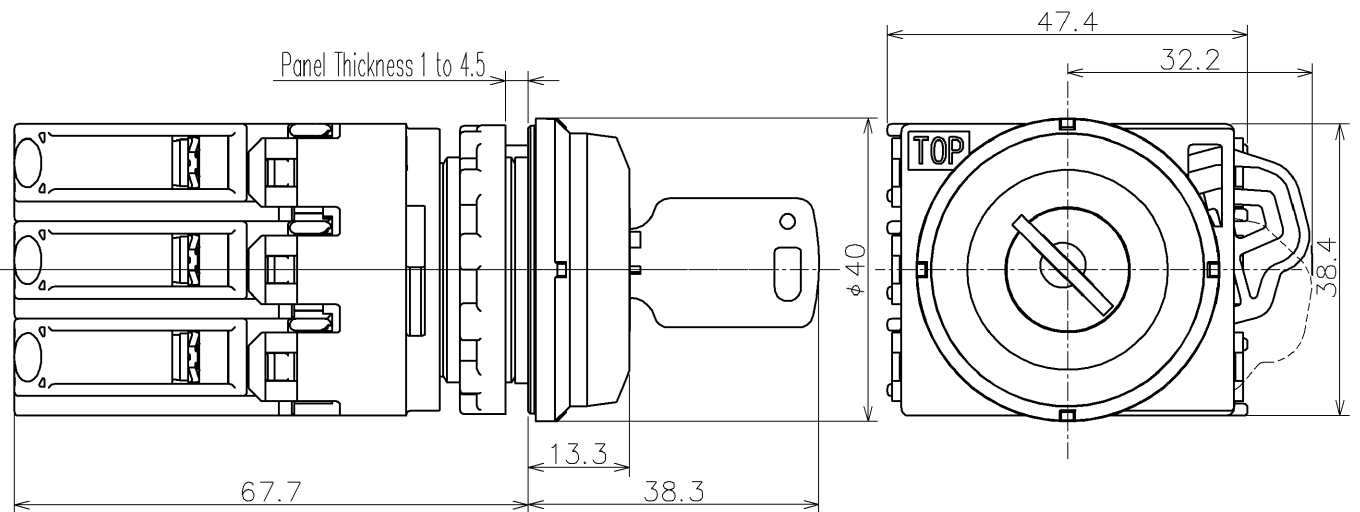
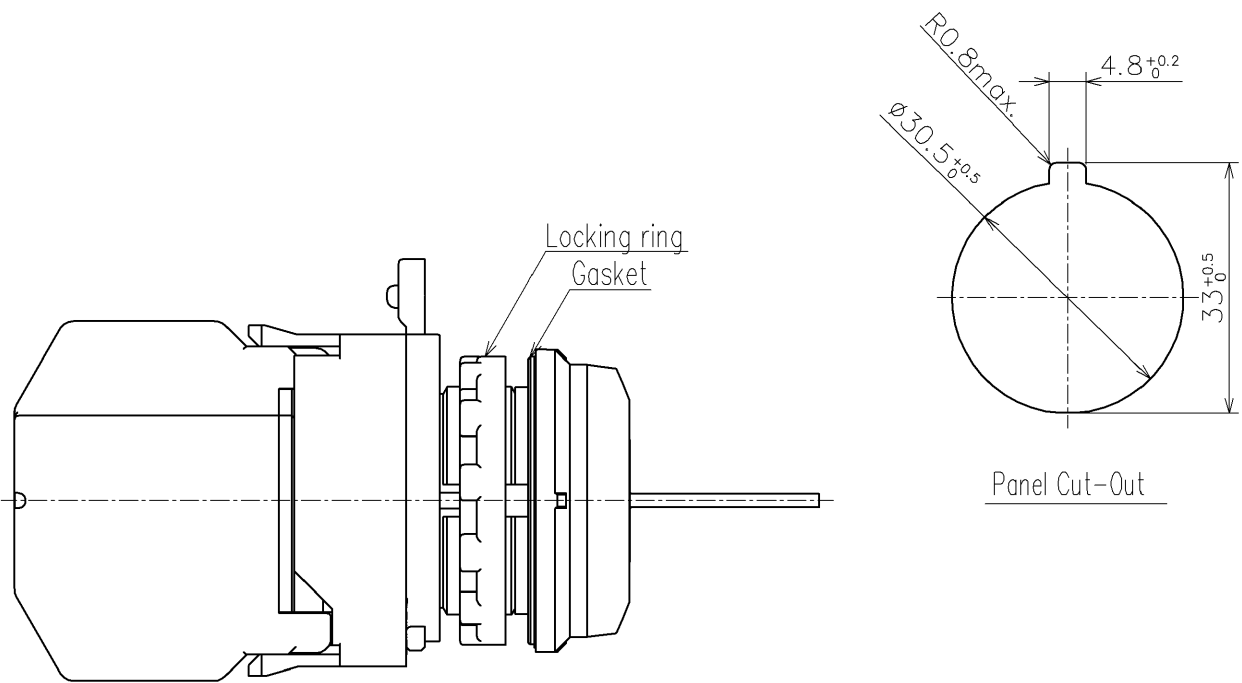


No. of positions : 2-position 90°
 Operation (◇): Maintained(Blank), Maintained over rap(R)
 Spring return from right(1), Special function(J)
 Contact arrangement (□□): 1a(10), 1b(01), 2a(20), 2b(02), 1a-1b(11),
 3a(30), 3b(03), 2a-1b(21), 1a-2b(12)
 Degree of protection (Terminal): IP20
 Key removable positions (*): All positions(A), Left position(B),
 Right position(C)



			Product Name: EU2B SERIES KEY SELECTOR SWITCHES	
			Type Number: EU2B-YSK2◇□□F*	
Approved by	Y. Tsujioka	FEB.08,2024	Dim.: mm	Outside View
Checked by	A. Tsumura	FEB.08,2024	Drawing No.	
Drawn by	F. Takai	FEB.08,2024	MA4-W00500B	