

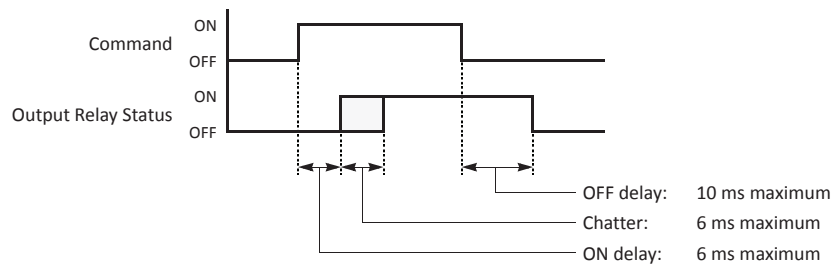
Relay Output Module Specifications

Type No.	FC4A-R081	FC4A-R161	
Output Points and Common Lines	8 NO contacts in 2 common lines	16 NO contacts in 2 common lines	
Terminal Arrangement	See Relay Output Module Terminal Arrangement on page 2-44.		
Maximum Load Current	2A per point		
	7A per common line	8A per common line	
Minimum Switching Load	1 mA/5V DC (reference value)		
Initial Contact Resistance	30 mΩ maximum		
Electrical Life	100,000 operations minimum (rated load 1,800 operations/hour)		
Mechanical Life	20,000,000 operations minimum (no load 18,000 operations/hour)		
Rated Load	240V AC/2A (resistive load, inductive load cos φ = 0.4) 30V DC/2A (resistive load, inductive load L/R = 7 ms)		
Dielectric Strength	Between output and ⊕ or ⊖ terminals: 1,500V AC, 1 minute Between output terminal and internal circuit: 1,500V AC, 1 minute Between output terminals (COMs): 1,500V AC, 1 minute		
Connector on Mother Board	MC1.5/11-G-3.81BK (Phoenix Contact)	MC1.5/10-G-3.81BK (Phoenix Contact)	
Connector Insertion/Removal Durability	100 times minimum	100 times minimum	
Internal Current Draw	All Outputs ON	30 mA (5V DC) 40 mA (24V DC)	45 mA (5V DC) 75 mA (24V DC)
	All Outputs OFF	5 mA (5V DC) 0 mA (24V DC)	5 mA (5V DC) 0 mA (24V DC)
Internal Power Consumption (at 24V DC while all outputs ON)	1.16W	2.10W	
Weight	110g	145g	
Contact Protection Circuit for Relay Output	See page 3-17.		

Note: When relay output modules are connected to the all-in-one 24-I/O type CPU module or any slim type CPU module, the maximum number of relay outputs that can be turned on simultaneously, including the outputs on the CPU module, are shown below.

CPU Module Type	All-in-One 24-I/O CPU Module		Slim Type CPU Module
	AC Power Type	DC Power Type	
Maximum Relay Outputs Turning On Simultaneously	33	44	108 total 54 (on the left of expansion interface module) 54 (on the right of expansion interface module)

Output Delay

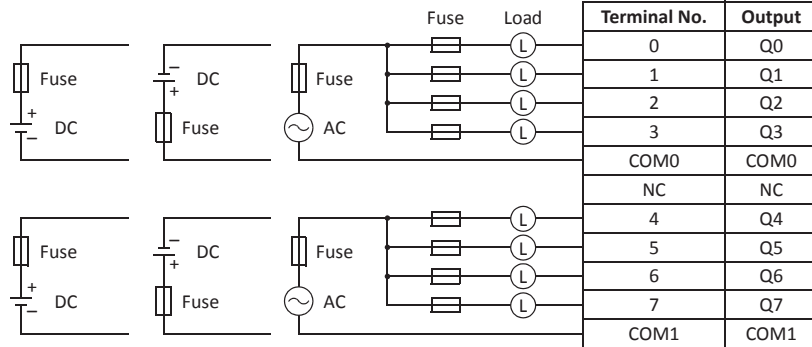
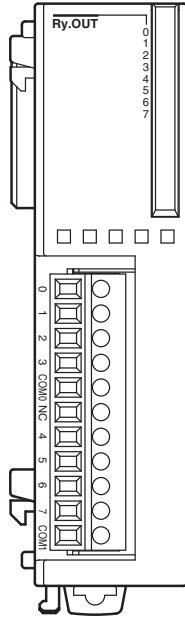


2: MODULE SPECIFICATIONS

Relay Output Module Terminal Arrangement and Wiring Diagrams

FC4A-R081 (8-point Relay Output Module) — Screw Terminal Type

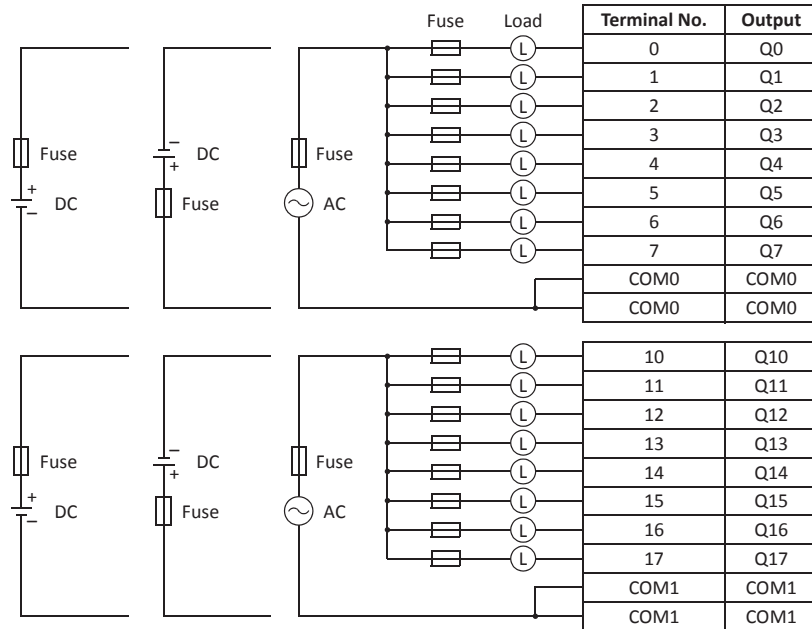
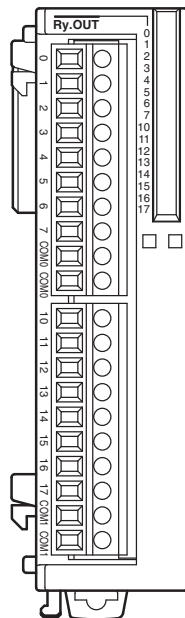
Applicable Terminal Block: FC4A-PMT11P (supplied with the output module)



- COM0 and COM1 terminals are *not* interconnected.
- Connect a fuse appropriate for the load.
- For output wiring precautions, see page 3-16.

FC4A-R161 (16-point Relay Output Module) — Screw Terminal Type

Applicable Terminal Block: FC4A-PMT10P (supplied with the output module)



- COM0 terminals are interconnected.
- COM1 terminals are interconnected.
- COM0 and COM1 terminals are *not* interconnected.
- Connect a fuse appropriate for the load.
- For output wiring precautions, see page 3-16.