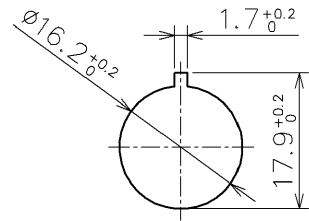
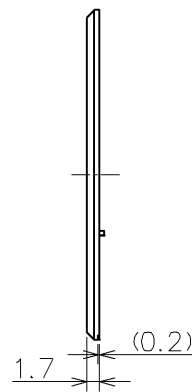
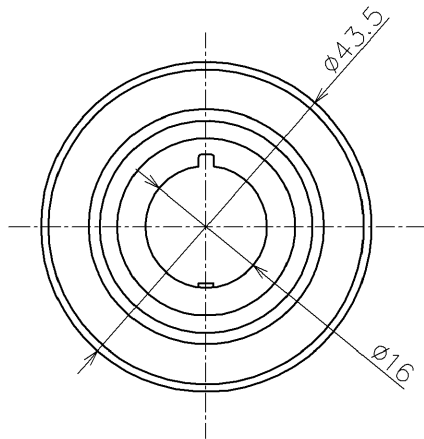


Material : Polyamide
 The color of the ground : Yellow



Panel cut-out
 (Applicable to IEC60947-5-1)



Note : Please calculate the mounting panel thickness using the following formula.
 Maximum mounting panel thickness = Typical maximum mounting panel thickness - 1.2 mm
 Minimum mounting panel thickness = 0.5mm

					Product Name: X6/XA SERIES NAME PLATE
					Type Number: HAAV-0
Approved by	T.Iwami	2023/03/13	Dim.: mm	Outside View	
Checked by	Y.Kawase	2023/03/13	Drawing No.		
Drawn by	T.Matsumoto	2023/03/13			