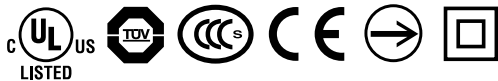


HS1L Interlock Switches with Solenoid

3000N locking strength (largest in class)! *

Suitable for large and heavy doors.

- Same actuator as HS1E (actuator retention force 3000N)
- Six contacts in a compact housing (same size as HS1E)
- Same dimensions and mounting hole layouts as HS1E (Size: 35 × 104 × 129 mm)
- Door open, closed, and locked statuses can be monitored for various applications.
- Energy efficient new solenoid unit. 32% less solenoid current consumption compared with HS1E.
- Manual unlock key and LED indicator are standard.
- Manual unlock key allows for manual unlocking in the event of power failure or maintenance.
- Indicator has an independent circuit, and can be used for various purposes.
- Two locking mechanisms to choose from—spring lock (unlocked with energized solenoid) or solenoid lock (locked with energized solenoid).
- M3 terminal screws for wiring.
- Wide operating temperature range (–20 to +55°C).



*As of December 2011, according to IDEC research of plastic interlock switches with solenoid.

Ratings

Contact Ratings

Rated Insulation Voltage (Ui)		300V			
Rated Operating Current (Ith)		10A			
Rated Operating Voltage (Ue)		30V	125V	250V	
Rated Operating Current (Ie)	AC	Resistive Load (AC-12)	10A	10A	6A
		Inductive Load (AC-15)	10A	5A	3A
	DC	Resistive Load (DC-12)	8A	2.2A	1.1A
		Inductive Load (DC-13)	4A	1.1A	0.6A

- Minimum applicable load (reference value): 3V AC/DC, 5mA (Applicable range may vary with operating conditions and load types.)
- TÜV rating: AC-15 3A/250V, DC-13 4A/30V
UL, c-UL rating: A300
Pilot duty: AC 3A/250V
Pilot duty: DC 4A/30V
- CCC rating: AC 15 3A/250V, DC-13 4A/30V

Solenoid Unit and LED Indicator

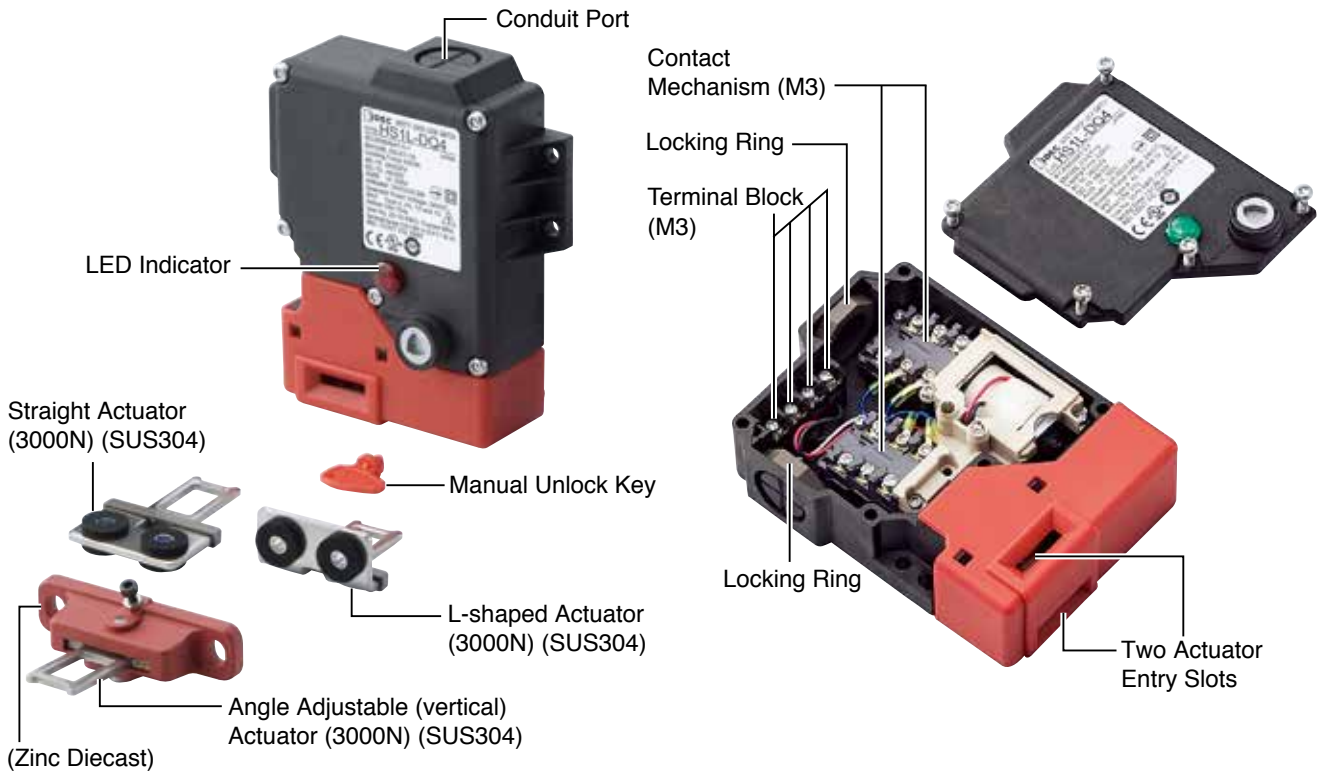
Lock Mechanism		Spring Lock	Solenoid Lock
Solenoid	Rated Operating Voltage	24V DC (100% duty cycle)	
	Rated Current	200 mA (initial value)	
	Coil Resistance	120Ω (at 20°C)	
	Pickup Voltage	Rated voltage × 85% max. (at 20°C)	
	Dropout Voltage	Rated voltage × 10% max. (at 20°C)	
	Maximum Continuous Applicable Voltage	Rated voltage × 110%	
	Maximum Continuous Applicable Time	Continuous	
	Insulation Class	Class F	
LED	Rated Operating Voltage	24V DC	
	Rated Current	10 mA	
	Light Source	LED	
	Illumination Color	Green (G), Red (R)	

Specifications

Applicable Standard	ISO14119 IEC60947-5-1 EN60947-5-1 (TÜV approved) GS-ET-19 (TÜV approved) UL508 (UL listed) CSA C22.2 No. 14 (c-UL listed) GB14048.5 (CCC approved) IEC60204-1/EN60204-1 (applicable standards for use)
Operating Temperature	–20 to +55°C (no freezing)
Relative Humidity	45 to 85% (no condensation)
Storage Temperature	–40 to +80°C (no freezing)
Pollution Degree	3
Overvoltage Category	III
Impulse Withstand Voltage	4.0 kV (between LED, solenoid and ground: 1.5 kV)
Contact Resistance	50 mΩ maximum (initial value)
Insulation Resistance	Between live and dead metal parts: 100 MΩ minimum (500V DC megger) Between terminals of different poles: 100 MΩ minimum (500V DC megger)
Electric Shock Protection	Class II (IEC 61140)
Degree of Protection	IP67 (IEC 60529)
Shock Resistance	Damage limits: 1000 m/s ²
Vibration Resistance	Operating extremes: 10 to 55 Hz, amplitude 0.35 mm Damage limits: 30 Hz, amplitude 1.5 mm
Actuator Operating Speed	0.05 to 1.0 m/s
Direct Opening Travel	11 mm minimum
Direct Opening Force	50N minimum
Actuator Retention Force when Locked	3000N minimum (GS-ET-19) See page 87 for dimensions.
Operating Frequency	900 operations per hour
Mechanical Durability	1,000,000 operations minimum (GS-ET-19)
Electrical Durability	100,000 operations minimum (AC-15 3A/250V) 1,000,000 operations minimum (24V AC/DC, 100mA) (operating frequency 900 operations per hour)
Conditional Short-circuit Current	100A (250V) (Use 250V/10A fast acting type fuse for short-circuit protection.)
Weight (approx.)	450g (HS1L-DQ44)

HS1L Interlock Switches with Solenoid

Parts and Functions

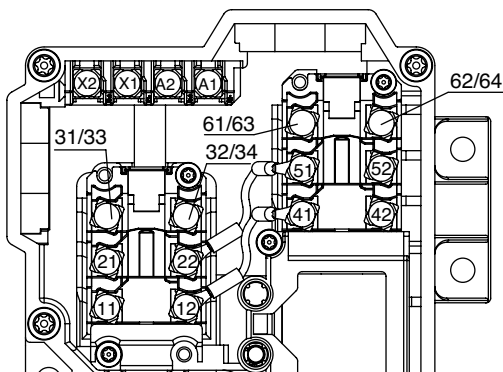


Part No. Development

HS1L-DQ44KMSRP-R

Circuit Code		LED Color
Main Circuit	Monitor Circuit	G: Green
R: 1NC+1NC	1NC/1NO, 2NC	R: Red
DQ: 1NC+1NC/ 1NC+1NC	1NO, 1NO	Conduit Port Size
DT: 1NC+1NC/ 1NC+1NC	1NC, 1NC	Blank: 1/2
		P: PG13.5
		M: M20
Solenoid Unit Voltage/ Lock Mechanism		Housing Color
4: 24V DC/Spring Lock		R: Red and Black
7Y: 24V DC/Solenoid Lock		Locking Strength
		MS: 3000N
LED Rated Voltage		Manual Unlocking Key
4: 24V DC		K: With key

Terminal Numbers



- 11-42: Main circuit
- 21: Main circuit or monitor circuit (door monitor)
- 22: Monitor circuit (door monitor)
- 31/33: Monitor circuit (door monitor)
- 32/34: Monitor circuit (door monitor)
- 51: Monitor circuit (lock monitor)
- 52: Main circuit or monitor circuit (lock monitor)
- 61/63: Monitor circuit (lock monitor)
- 62/64: Monitor circuit (lock monitor)
- A1: Solenoid (-)
- A2: Solenoid (+)
- X1: LED (-)
- X2: LED (+)

* There is no wiring between 22-51 with circuit code R.

HS1L Interlock Switches with Solenoid

Interlock Switch

Lock Mechanism	Circuit Code	Contact Configuration	Conduit Port Size	LED Indicator	Manual Unlocking Key	Part No.
Spring Lock	R	<p>Main: 1NC+1NC Door monitor: 1NO/1NC Lock monitor: 2NC</p> <p>Main circuit: ① 11-12 41-42 Monitor circuit: ② 21-22 Monitor circuit: 33-34 Monitor circuit: 51-52 Monitor circuit: 61-62</p>	G1/2	With	With	HS1L-R44KMSR-②
			PG13.5			HS1L-R44KMSRP-②
			M20			HS1L-R44KMSRM-②
	DQ	<p>Main: 1NC+1NC 1NC+1NC Door monitor: 1NO Lock monitor: 1NO</p> <p>Main circuit: ① 11-12 41-42 Main circuit: ② 21-22 51-52 Monitor circuit: 33-34 Monitor circuit: 63-64</p>	G1/2			HS1L-DQ44KMSR-②
			PG13.5			HS1L-DQ44KMSRP-②
			M20			HS1L-DQ44KMSRM-②
	DT	<p>Main: 1NC+1NC 1NC+1NC Door monitor: 1NC Lock monitor: 1NC</p> <p>Main circuit: ① 11-12 41-42 Main circuit: ② 21-22 51-52 Monitor circuit: ③ 31-32 Monitor circuit: 61-62</p>	G1/2			HS1L-DT44KMSR-②
			PG13.5			HS1L-DT44KMSRP-②
			M20			HS1L-DT44KMSRM-②
Solenoid Lock	R	<p>Main: 1NC+1NC Door monitor: 1NO/1NC Lock monitor: 2NC</p> <p>Main circuit: ① 11-12 41-42 Monitor circuit: ② 21-22 Monitor circuit: 33-34 Monitor circuit: 51-52 Monitor circuit: 61-62</p>	G1/2	With	With	HS1L-R7Y4KMSR-②
			PG13.5			HS1L-R7Y4KMSRP-②
			M20			HS1L-R7Y4KMSRM-②
	DQ	<p>Main: 1NC+1NC 1NC+1NC Door monitor: 1NO Lock monitor: 1NO</p> <p>Main circuit: ① 11-12 41-42 Main circuit: ② 21-22 51-52 Monitor circuit: 33-34 Monitor circuit: 63-64</p>	G1/2			HS1L-DQ7Y4KMSR-②
			PG13.5			HS1L-DQ7Y4KMSRP-②
			M20			HS1L-DQ7Y4KMSRM-②
	DT	<p>Main: 1NC+1NC 1NC+1NC Door monitor: 1NC Lock monitor: 1NC</p> <p>Main circuit: ① 11-12 41-42 Main circuit: ② 21-22 51-52 Monitor circuit: ③ 31-32 Monitor circuit: 61-62</p>	G1/2			HS1L-DT7Y4KMSR-②
			PG13.5			HS1L-DT7Y4KMSRP-②
			M20			HS1L-DT7Y4KMSRM-②

- Specify an LED indicator color code in place of ② in the Part No. G: green, R: red
- The contact configuration shows the status when the actuator is inserted and the switch is locked.
- Actuators are not supplied with the interlock switch and must be ordered separately.

Actuator

Description	Part No.
Straight Actuator	HS9Z-A1S
L-shaped Actuator	HS9Z-A2S
Angle Adjustable (vertical) Actuator (for hinged door)	HS9Z-A3S

- Package quantity: 1

Accessories

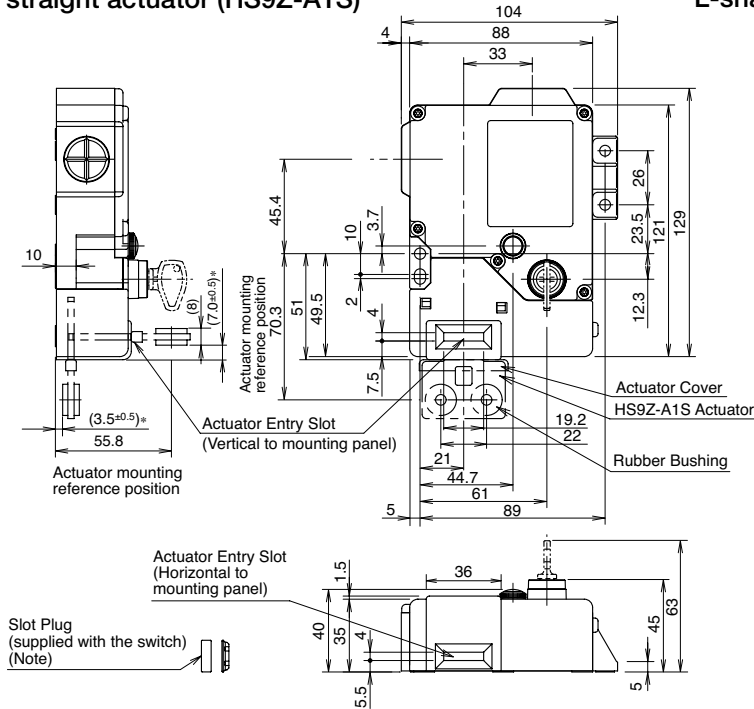
Description	Part No.
Key Wrench for TORX Screw (L-shaped)	HS9Z-T1
Conduit Port Plug (Size: G1/2 only)	HS9Z-P1

- Package quantity: 1
- Key Wrench for TORX Screw is supplied with the interlock switch.

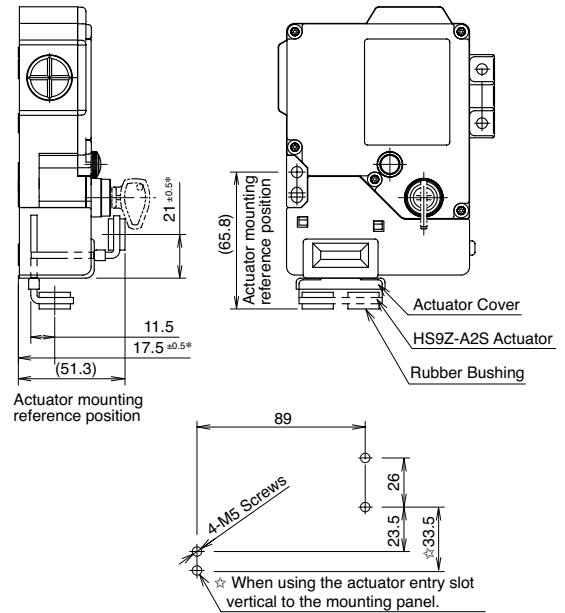
HS1L Interlock Switches with Solenoid

Dimensions and Mounting Hole Layouts

Interlock switch when using straight actuator (HS9Z-A1S)



Interlock switch when using L-shaped actuator (HS9Z-A2S)

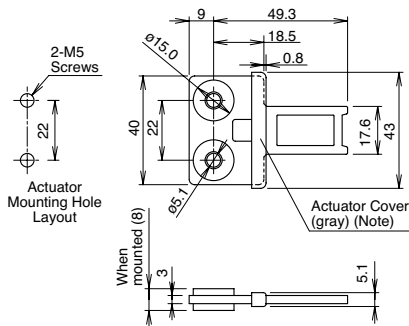


Interlock Switch Mounting Hole Layout

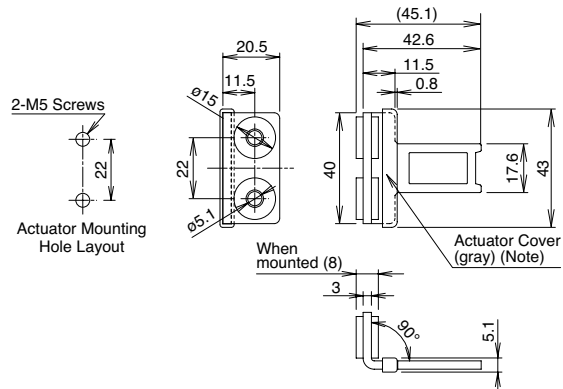
Note: Plug the unused actuator entry slot using the slot plug supplied with the interlock switch.

- Install the interlock switch using four mounting screws when using the actuator entry slot vertical to the mounting panel, and three mounting screws when using the actuator entry slot horizontal to the mounting panel.

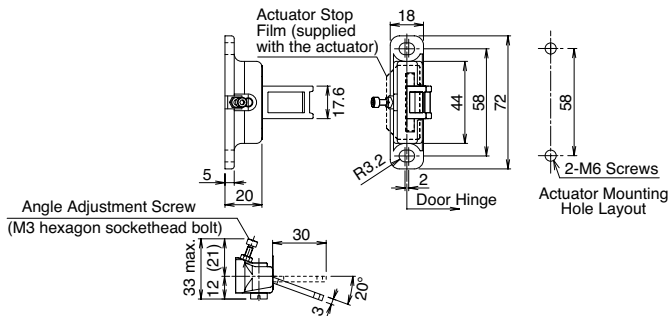
Straight Actuator (HS9Z-A1S)



L-shaped Actuator (HS9Z-A2S)



Angle Adjustable (vertical) Actuator (HS9Z-A3S)



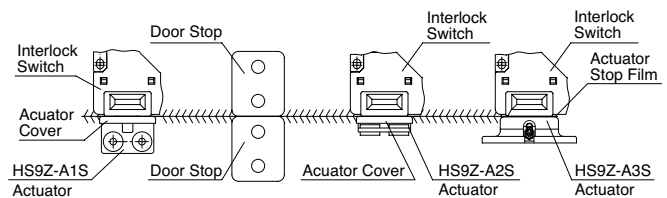
Note: The actuator cover and the actuator stop film are supplied with the actuator and used when adjusting the actuator position. Remove them after the actuator position is determined.

All dimensions in mm.

Actuator Mounting Reference Position

As shown in the figure on the right, the mounting reference position of the actuator when inserted in the interlock switch is where the actuator stop placed on the actuator lightly touches the interlock switch.

Note: After mounting the actuator, remove the actuator cover and the actuator stop film.



HS1L Interlock Switches with Solenoid

Circuit Diagrams and Operating Characteristics

Spring Lock

		Status 1	Status 2	Status 3	Status 4	Manual Unlock
Interlock Switch Status		<ul style="list-style-type: none"> Door Closed Machine ready to operate Solenoid de-energized 	<ul style="list-style-type: none"> Door Closed Machine cannot be operated Solenoid energized 	<ul style="list-style-type: none"> Door Open Machine cannot be operated Solenoid energized 	<ul style="list-style-type: none"> Door Open Machine cannot be operated Solenoid de-energized 	<ul style="list-style-type: none"> Door Closed Machine cannot be operated Solenoid de-energized
Door Status						
Circuit Diagram (HS1L-DQ4)						
Door		Closed (locked)	Closed (unlocked)	Open	Open	Closed (unlocked)
Contact Configuration	HS1L-DQ4	Main Circuit 11-42	ON (closed)	OFF (open)	OFF (open)	OFF (open)
		Main Circuit 21-52	ON (closed)	OFF (open)	OFF (open)	OFF (open)
		Door Monitor Circuit (Door Open) 33-34	OFF (open)	OFF (open)	ON (closed)	ON (closed)
		Lock Monitor Circuit (unlocked) 63-64	OFF (open)	ON (closed)	ON (closed)	ON (closed)
Solenoid Power A1-A2		OFF (de-energized)	ON (energized)	ON (energized)	OFF (de-energized)	OFF (de-energized)

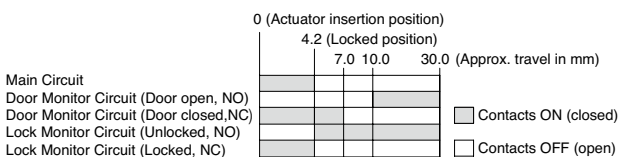
Solenoid Lock

		Status 1	Status 2	Status 3	Status 4	Manual Unlock
Interlock Switch Status		<ul style="list-style-type: none"> Door Closed Machine ready to operate Solenoid energized 	<ul style="list-style-type: none"> Door Closed Machine cannot be operated Solenoid de-energized 	<ul style="list-style-type: none"> Door Open Machine cannot be operated Solenoid de-energized 	<ul style="list-style-type: none"> Door Open Machine cannot be operated Solenoid energized 	<ul style="list-style-type: none"> Door Closed Machine cannot be operated Solenoid de-energized to energized
Door Status						
Circuit Diagram (HS1L-DQ7Y)						
Door		Closed (locked)	Closed (unlocked)	Open	Open	Closed (unlocked)
Contact Configuration	HS1L-DQ7Y	Main Circuit 11-42	ON (closed)	OFF (open)	OFF (open)	OFF (open)
		Main Circuit 21-52	ON (closed)	OFF (open)	OFF (open)	OFF (open)
		Door Monitor Circuit (Door Open) 33-34	OFF (open)	OFF (open)	ON (closed)	ON (closed)
		Lock Monitor Circuit (unlocked) 63-64	OFF (open)	ON (closed)	ON (closed)	ON (closed)
Solenoid Power A1-A2		ON (energized)	OFF (de-energized)	OFF (de-energized)	ON (energized) (Note 2)	OFF to ON (Note 1) (Note 2)

Note 1: Do not attempt manual unlocking while the solenoid is energized.

Note 2: Do not energize the solenoid for a long period of time while the door is open or while the door is unlocked manually.

Operation Characteristics (reference)



- The operation characteristics show the contact status when the actuator enters into the center of the entry slot.
- The circuit No. 12-41 and 22-51 are interconnected. Use circuits 11-42 and 21-52 for safety circuits (In HS1L-R model, circuit 12-41 is interconnected.)

HS1L Interlock Switches with Solenoid

Safety Precautions

- In order to avoid electric shock or fire, turn power off before installation, removal, wire connection, maintenance, or inspection of the interlock switch.
- If relays are used in the circuit between the interlock switch and the load, consider the danger and use safety relays, since welded or sticking contacts of standard relays may invalidate the functions of the interlock switch. Perform a risk assessment and establish a safety circuit which satisfies the requirement of the safety category.
- Do not place a PLC in the circuit between the interlock switch and the load. Safety security can be endangered in the event of a malfunction of the PLC.
- Do not disassemble or modify the interlock switch, otherwise a breakdown or an accident may occur.
- Do not install the actuator in a location where the human body may come in contact. Otherwise injury may occur.
- Install the actuator where it does not touch human body when the door is opened/closed. Otherwise injury may occur.
- Solenoid lock is locked when energized, and unlocked when de-energized. When energization is interrupted due to wire disconnection or other failures, the interlock switch may be unlocked causing possible danger to the operators. Solenoid lock must not be used in applications where locking is strictly required for safety. Perform a risk assessment and determine whether solenoid lock is appropriate.
- In order to prevent the interlock switch and actuator from being removed without authorization, it is recommended to install an one-way screw or a screw that needs a special tool for removal. Welding or rivet is also recommended.

Instructions

- Regardless of door types, do not use the interlock switch as a door stop. Install a mechanical door stop at the end of the door to protect the interlock switch against excessive force.
- Make sure that no force is applied on the actuator, otherwise the actuator may not be unlocked properly.
- Do not apply excessive shock to the interlock switch when opening or closing the door. A shock to the interlock switch exceeding 1,000 m/s² may cause damage to the interlock switch.
- If the operating atmosphere is contaminated, use a protective cover to prevent the entry of foreign objects into the interlock switch through the actuator entry slots. Entry of foreign objects into the interlock switch may affect the mechanism of the interlock switch and cause a breakdown.
- Plug the unused actuator entry slot using the slot plug supplied with the interlock switch.
- Do not store the interlock switches in a dusty, humid, or organic-gas atmosphere, or the switches are subject to direct sunlight.
- Use proprietary actuators only. When other actuators are used, the interlock switch may be damaged.
- Do not modify the actuator, otherwise it will damage the interlock switch.
- The actuator retention force is 3000N. Do not apply a load higher than the rated value. When a higher load is expected, provide an additional system consisting of other interlock switch without lock (such as the HS5D interlock switch) or a sensor to detect door opening and stop the machine.
- Regardless of door types, do not use the interlock switch as a door lock. Install a separate lock using a latch or other measures.
- While the solenoid is energized, the interlock switch temperature rises approximately 40°C above the ambient temperature (to approximately 95°C while the ambient temperature is 55°C). To prevent burns, do not touch. If cables come into contact with the interlock switch, use heat-resistant cables.
- Solenoid has polarity. Be sure of the correct polarity when wiring. Do not apply overvoltage, otherwise the solenoid will be burnt.

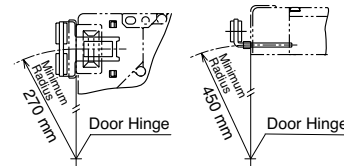
Minimum Radius of Hinged Door

When using the interlock switch for a hinged door, refer to the minimum radius of doors shown below. For the doors with small minimum radius, use angle adjustable actuators (HS9Z-A3S).

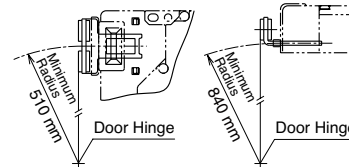
Note: The following values apply when the actuator does not interfere with the interlock switch when opening and closing the door. Because deviation or dislocation of hinged door may occur in actual applications, make sure of the correct operation before installation.

When using HS9Z-A2S Actuator

- When the door hinge is on the extension line of the interlock switch surface:

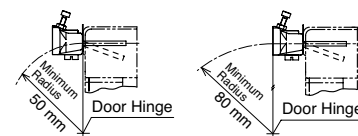


- When the door hinge is on the extension line of the actuator mounting surface:



When using HS9Z-A3S Actuator

- When the door hinge is on the extension line of the interlock switch surface: 50 mm
- When the door hinge is on the extension line of the actuator mounting surface: 80 mm



Actuator Angle Adjustment

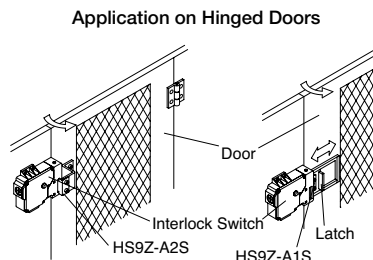
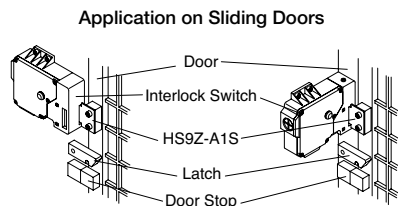
- Using the angle adjustment screw, the actuator angle can be adjusted (refer to the dimensional drawing on page 87). Adjustable angle: 0 to 20°
- The larger the adjusted angle of the actuator, the smaller the applicable radius of the door opening. After installing the actuator, open the door. Then adjust the actuator so that its edge can be inserted properly into the actuator entry slot of the interlock switch.
- After adjusting the actuator angle, apply Loctite to the adjustment screw so that the screw will not move.

HS1L Interlock Switches with Solenoid

Instructions

Mounting Examples

Install the interlock switch and actuator referring to the figures below.



For Manual Unlocking

Spring lock

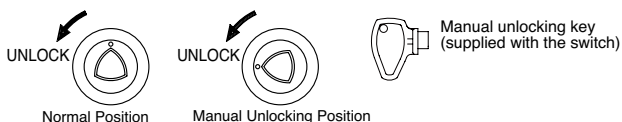
The HS1L allows manual unlocking of the actuator to pre-check proper door movement before wiring or turning power on, as well as for emergency use such as a power failure.

Solenoid lock

The solenoid lock interlock switch normally does not need the manual unlock. However, only when the interlock switch would not release the actuator even though the solenoid is de-energized, the interlock switch can be unlocked manually. Unlock the interlock switch manually only when the solenoid is de-energized. Do not unlock the interlock switch manually when the solenoid is energized.

Using manual unlock key

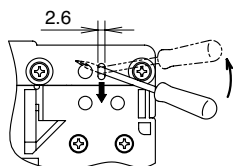
- When locking or unlocking the interlock switch manually, turn the key fully using the manual unlock key supplied with the interlock switch.
- Using the interlock switch with the key not fully turned (less than 90°) may cause damage to the interlock switch or operation failures. When manually unlocked, the interlock switch will keep the main circuit disconnected and the door unlocked. Main circuit and lock monitor circuit remain open.
- Do not leave the manual unlock key attached to the interlock switch during operation. This is dangerous and does not satisfy the requirement by safety standards, because the interlock switch can always be unlocked while the machine is in operation.



Unlocking from the back of interlock switch

Insert the tip of a small screwdriver into the oblong hole on the back of the interlock switch, and tilt toward the center of the switch until the actuator is unlocked.

Note: Provide a hole on the mounting panel for unlocking from the back. When making a hole in the panel, take waterproof characteristics into consideration.



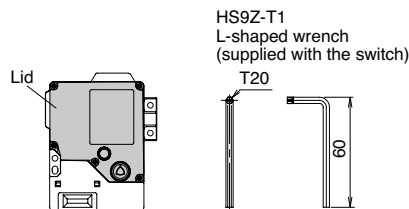
Safety Precautions

Before manually unlocking the interlock switch, make sure that the machine has come to a complete stop. Manual unlocking during operation may unlock the interlock switch before the machine stops, and the function of interlock switch with solenoid is lost.

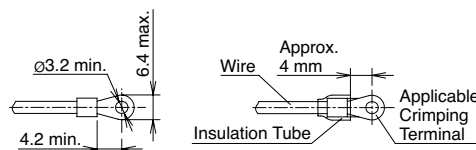
On the solenoid lock, manual unlocking is provided for the situation where the switch cannot be unlocked even though the solenoid has turned off. Do not attempt manual unlocking while the solenoid is energized.

Precautions for Opening and Closing the Lid

- When opening the lid before wiring, make sure to open only the lid shown the following figure. Removing unnecessary screws may cause a failure of the interlock switch.
- Use HS9Z-T1 key wrench for TORX screw when removing and installing the lid.
- Make sure that no foreign objects such as dust, water, or oil enter the interlock switch when wiring.



Applicable Crimping Terminal



- Use an insulation tube on the crimping terminal.
- When using stranded wires, make sure that loose wires do not cause short circuit. Also, do not solder the terminal to prevent loose wires.

Applicable Crimping Terminal	Applicable Wire
N0.5-3 / FN0.5 (JST)	0.2 to 0.5 mm ²
N1.25-MS3 (JST)	0.25 to 1.65 mm ²
V1.25-YS3A (JST)	0.25 to 1.65 mm ²

Applicable Wire Size

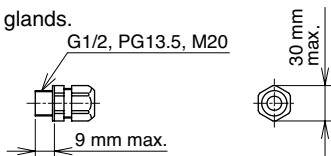
- 0.5 to 1.5 mm²

HS1L Interlock Switches with Solenoid

Instructions

Applicable Cable Glands

Use IP67 cable glands.



When Using Flexible Conduit (Example)

Flexible conduit example: VF-03 (Nihon Flex)

Conduit Port Size	Plastic Cable Gland	Metal Cable Gland
G1/2	—	RLC-103 (Nihon Flex)
PG13.5	—	RBC-103PG13.5 (Nihon Flex)
M20	—	RLC-103EC20 (Nihon Flex)

When Using Multi-core Cables (Example)

Flexible conduit example: VF-03 (Nihon Flex)

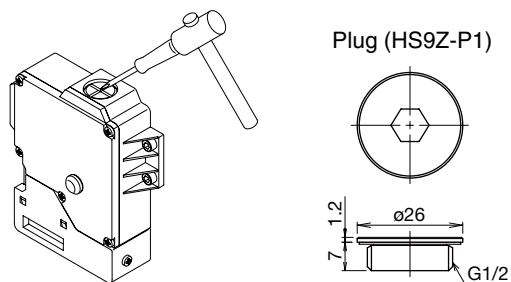
Conduit Port Size	Plastic Cable Gland	Metal Cable Gland
G1/2	SCS-10 (Seiwa Electric)	ALS-16 (Nihon Flex)
PG13.5	ST13.5 (K-MECS)	ABS-PG13.5 (Nihon Flex)
M20	ST-M20X1.5 (K-MECS) (Note)	ALS-EC20 (Nihon Flex)

• Different cable glands are used depending on the cable sheath outside diameter. When purchasing a cable gland, confirm that the cable gland is applicable to the cable sheath outside diameter.

Note: When using the ST-M20X1.5 cable gland, use together with a gasket (Part No.: GPM20, K-MECS).

Conduit Port Opening

- Make an opening for wire connection by breaking one of the conduit-port knockouts on the interlock switch housing using a screwdriver.
- Before opening the conduit port, remove the locking ring for cable gland inside the interlock switch.
- When breaking the conduit port, take care not to damage the contact block or other parts inside the interlock switch. Also, take care not to damage the internal wiring. Cut wires cause operation failure.
- Cracks or burrs on the conduit entry may deteriorate protection against water.
- When changing to another conduit port, close the unused opening with an optional plug (Part No.: HS9Z-P1)



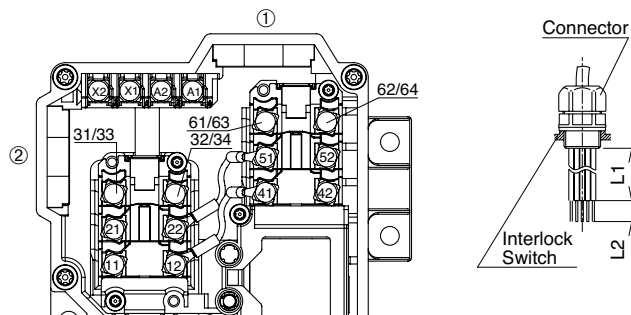
Recommended Tightening Torque

- HS1L interlock switch: 3.2 to 3.8 N·m (four M5 screws) (Note)
- Lid: 0.9 to 1.1 N·m (M4 screws)
- Terminal: 0.6 to 0.8 N·m (M3 screws)
- Cable gland: 2.7 to 3.3 N·m
- Actuators
 - HS9Z-A1S/A2S: 2.7 to 3.3 N·m (two M5 screws) (Note)
 - HS9Z-A3S: 4.5 to 5.5 N·m (two M6 screws) (Note)

Note: The above recommended tightening torque of the mounting screws are the values with hex socket head bolts. When other screws are used and tightened to a smaller torque, make sure that the screws do not become loose after mounting.

Wire Length Inside the Interlock Switch

Screw Terminal No.	Through Conduit Port		
	①	②	
Wire Length L1 (mm)	11	95 ± 2	45 ± 2
	21	85 ± 2	35 ± 2
	22	60 ± 2	70 ± 2
	31/33	75 ± 2	35 ± 2
	32/34	50 ± 2	60 ± 2
	42	65 ± 2	95 ± 2
	51	45 ± 2	70 ± 2
	52	55 ± 2	85 ± 2
	61/63	35 ± 2	60 ± 2
	62/64	45 ± 2	75 ± 2
	A1	50 ± 2	45 ± 2
	A2	60 ± 2	40 ± 2
	X1	70 ± 2	35 ± 2
	X2	80 ± 2	35 ± 2
Wire Stripping Length: L2 (mm)	7 ± 1		



Note:

HS1L-R
Do not remove the wire between terminals 12-41, because these terminals are interconnected for safety circuit input. Use terminals 11-42 for safety circuit inputs. (GS-ET-19)

HS1L-DQ and HS1L-DT
Do not remove the wires between terminals 12-41 and 22-51, because these terminals are interconnected for safety circuit inputs. Use terminals 11-42 and 21-52 for safety circuit inputs. (GS-ET-19)