



INDUCTIVE SENSORS

Ø 4

10÷30 Vdc - 3 WIRES NPN OR PNP OUTPUT

- 0,8 mm operating distance - shielded
- NO output

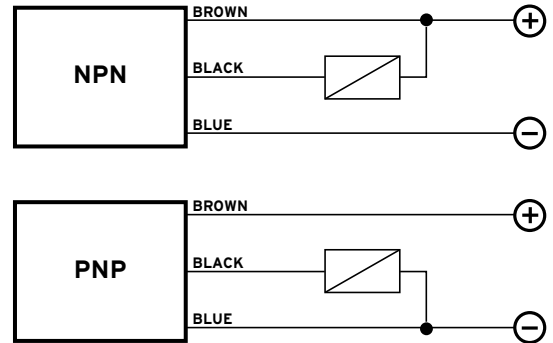
IS Series



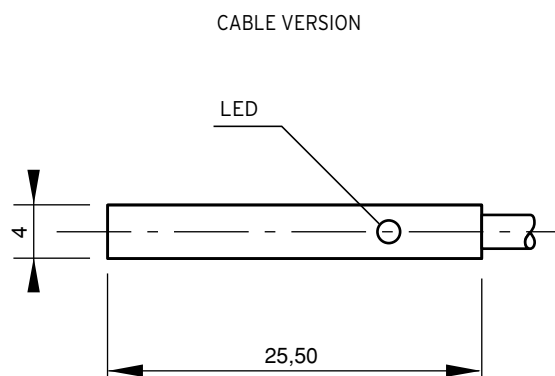
TECHNICAL DATA

	SHIELDED
OPERATING DISTANCE (S _n)	0.8 mm
POWER SUPPLY	10 ÷ 30 Vdc (-15 / +10%)
RIPPLE	≤ 10%
HYSTERESIS	< 10%
OUTPUT CURRENT	100 mA max.
CONSUMPTION	≤ 10 mA @ 24 Vdc
SATURATION VOLTAGE	< 1 V (I = 100 mA)
INDICATORS	Yellow LED
SWITCHING FREQUENCY	2000 Hz
DELAY AT POWER ON	≤ 50 ms
REPEATABILITY	≤ 1%
SHORT CIRCUIT PROTECTION	Present (self-resetting)
PROTECTIONS CIRCUIT	Against polarity reversal - inductive loads
OPERATING TEMPERATURE	-25 ÷ +60 °C
MECHANICAL PROTECTION	IP67
CONNECTIONS	2 m cable (3 x 0.14 mm ²)
HOUSING MATERIAL	Stainless steel
WEIGHT	50 g cable version

CONNECTIONS



DIMENSIONS (mm)





MODEL SELECTION TABLE

DIAMETER	CONSTRUCTION	OUTPUT	CONNECTION
04 = 4 mm	A= shielded standard housing	1 = 10-30 Vdc PNP NO	02 = 500 mm CABLE
05 = 5 mm	B= shielded short housing	2 = 10-30 Vdc PNP NC	03 = 2 m CABLE
08 = 8 mm	C= unshielded standard housing	3 = 10-30 Vdc NPN NO	S1 = M8 CONN.
12 = 12 mm	D= unshielded short housing	4 = 10-30 Vdc NPN NC	S2 = M12 CONN.
18 = 18 mm	E= shielded standard housing, double operating distance	5 = 10-30 Vdc PNP NO-NC	
30 = 30 mm	F= unshielded standard housing, double operating distance	6 = 10-30 Vdc NPN NO-NC	
	G= shielded short housing, double operating distance	7 = 24-230 Vac - 2 wires NO	
	H= unshielded short housing, double operating distance	8 = 24-230 Vac - 2 wires NC	
	I= shielded standard metal housing	9 = 10-30 Vac - 2 wires NO-NC	
	L= unshielded standard metal housing	0 = 12-30 Vac - 4 wires	

PRODUCT TABLE

DESCRIPTION	CONNECTION	SHIELDED	HOUSING	ORDER CODE
IS-04-A1-03	2 m CABLE	yes	standard	95B061010
IS-04-A3-03	2 m CABLE	yes	standard	95B061000