

## INSTRUCTION SHEET

### Mounting Bracket for FB series Control Box FB Series

Confirm that the delivered product is what you have ordered. Read this instruction sheet to make sure of correct operation. Make sure that the instruction sheet is kept by the end user.

#### **⚠ Safety Precautions**

• Turn off the power to the control unit before starting installation, removal, wiring, maintenance, and inspection on the FB series control box. Failure to turn power off may cause electric shock or fire hazard.

#### **1 Type**

FB9Z-PK1

#### **2 Specifications**

Applicable model	FB series control box
Material	Stainless-steel (mounting bracket, screw)
Weight (approx.)	60g

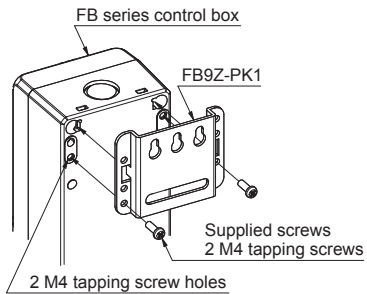
• For details on the FB series control box, see the instruction sheet for the control box.

#### **3 Mounting**

< Wall Mounting >

• Attach the FB9Z-PK1 on the FB series control box with the supplied screws (two M4 tapping screws). □ (Recommended tightening torque :  $1.3 \pm 0.1 \text{ N} \cdot \text{m}$ )

• Do not tighten the FB9Z-PK1 onto the FB series control box with excessive force. The tapping screw hole may be damaged and may not securely hold the control box.

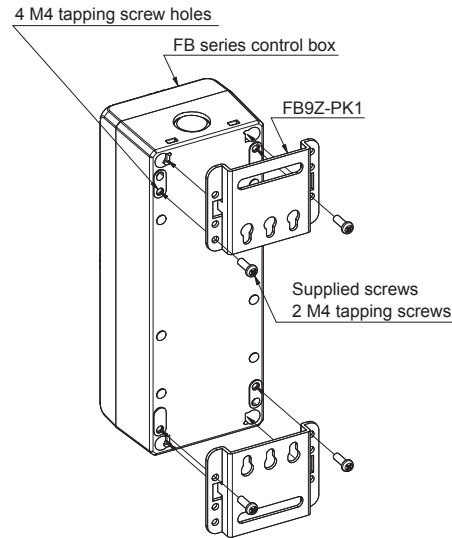


< Frame Mounting >

• FB9Z-PK1 can be used as frame mounting brackets by attaching two FB9Z-PK1 as shown in the drawing below.

• Attach the FB9Z-PK1 on the FB series control box with the supplied screws (two M4 tapping screws). □ (Recommended tightening torque :  $1.3 \pm 0.1 \text{ N} \cdot \text{m}$ )

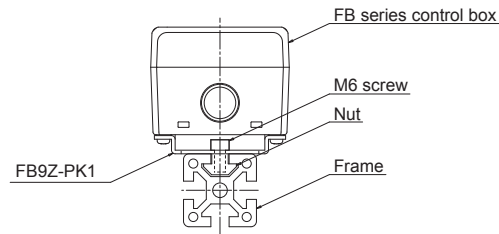
• Do not tighten the FB9Z-PK1 onto the FB series control box with excessive force. The tapping screw hole may be damaged and may not securely hold the control box.



• Using two M6 screws, fasten the FB9Z-PK1 securely on the frame. □ (Recommended tightening torque :  $5.0 \pm 0.3 \text{ N} \cdot \text{m}$ )

• M6 mounting screws and nuts are not supplied with the FB9Z-PK1.

• The value of the recommended tightening torque for M6 screws has been confirmed with a hexagon socket head screw. When other screws are used and tightened to a smaller torque, make sure that the screws do not become loose after mounting.



#### **4 Notes for Operation**

< Wall Mounting >

• When using the FB9Z-PK1 as wall mounting brackets, make sure that vibrations or shocks do not cause the control box to fall off, and that the control unit operates properly.

• Make sure that the mounting strength is secured.

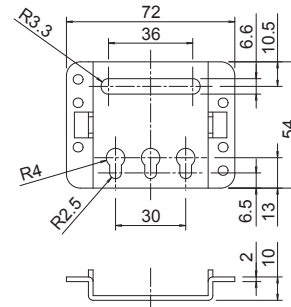
< Frame Mounting >

• Do not expose the FB series control box to excessive force, otherwise failure or damage may be caused.

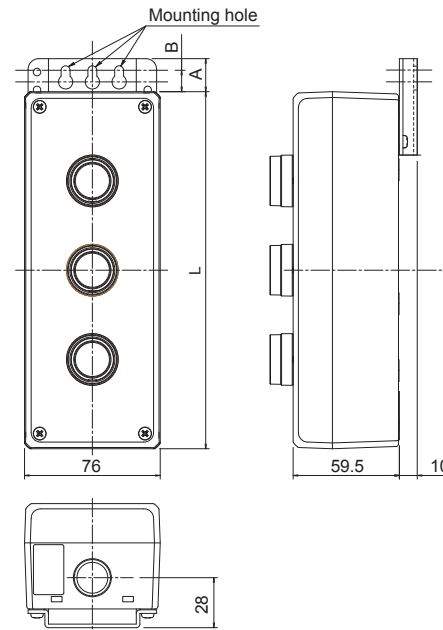
• Make sure that the mounting strength is secured in consideration of the operation of control unit.

#### **5 Dimensions**

< FB9Z-PK1 >

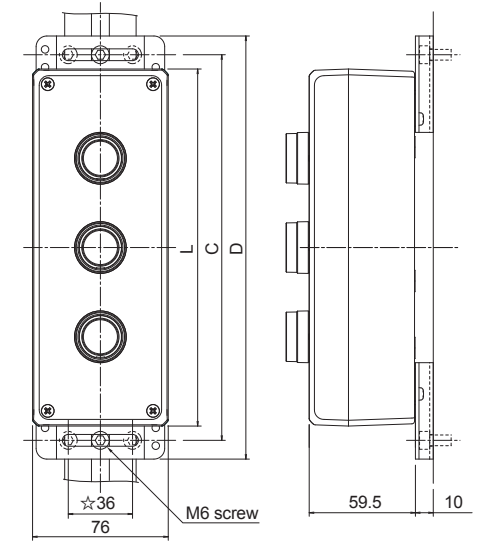


< Wall Mounting >

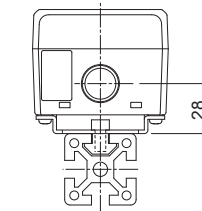


	FB series control box		
	FB1□□ (76 mm Type)	FB2□□ (140 mm Type)	FB3□□ (200 mm Type)
L	76□	140	200□
A	19□	18.5□	18.5□
B	12.5	12	12

< Frame Mounting >



☆(Adjustable range)



	FB series control box		
	FB1□□ (76 mm Type)	FB2□□ (140 mm Type)	FB3□□ (200 mm Type)
L	76□	140	200□
C	93□	156□	177□
D	114	177	237

#### **6 Precaution for Disposal**

• Dispose of the FB9Z-PK1 as an industrial waste.