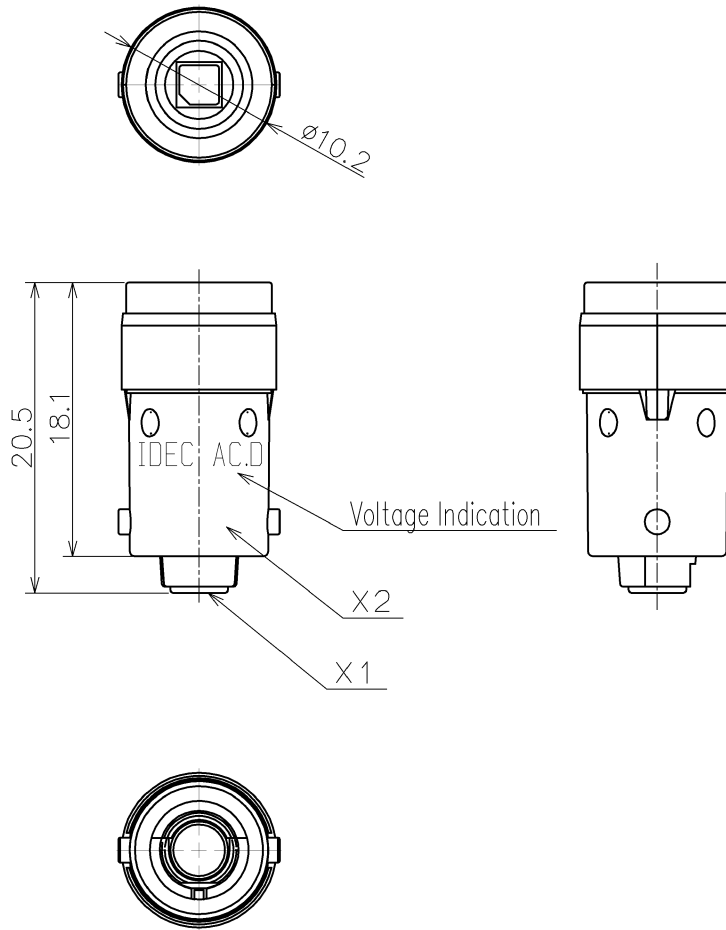
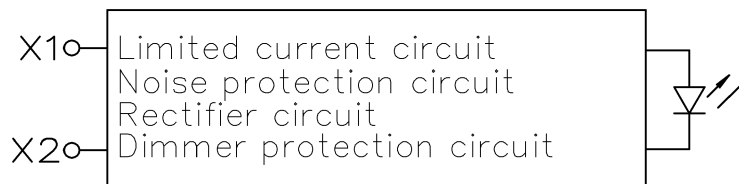


RATED VOLTAGE (※) : 100/120V AC/DC (H2)
 200/220V AC (M2)
 230/240V AC (M4)
 BASE : Based on JISC7709 BA9s/13



Internal Circuit



S=2/1

				Product Name: LED LAMP	
				Type Number: LSRD-※	
Approved by	Y.ONISHI	APR.17,2020	Dim.:	mm	Outside View
Checked by	T.MATSUMOTO	APR.16,2020	Drawing No. MA4-L00309		
Drawn by	T.MATSUMOTO	APR.16,2020			