

Operation Type : Pushlock

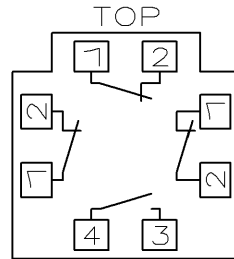
Reset : Turnreset or Pullreset

Contact Arrangement(□□): 1b(01),1a-1b(11),2b(02),3b(03),1a-2b(12),
2a-2b(22),4b(04),1a-3b(13)

Button Color(*): Red(R),Bright Red(RH)

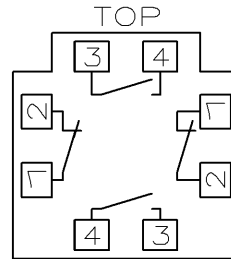
Contact Configuration(Bottom View)

With 1NO monitor
contact

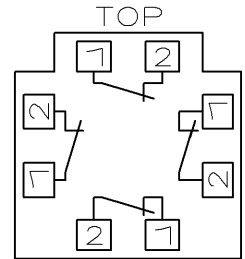


1NC: Terminals on top
2NC: Terminals on right
and left

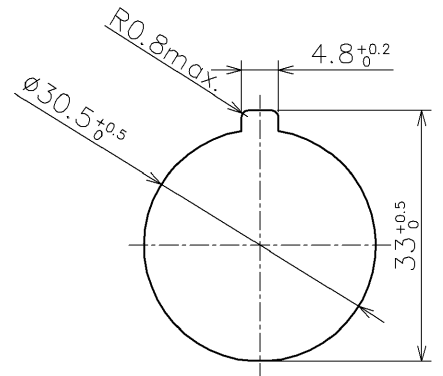
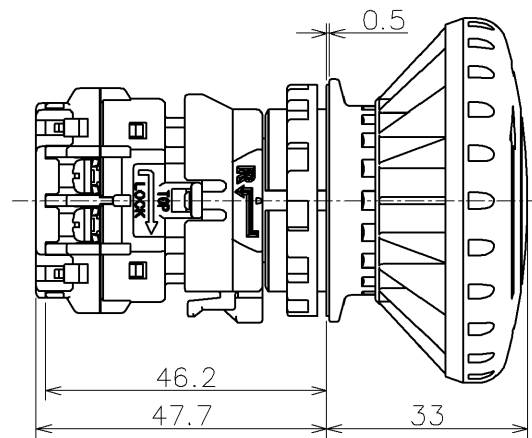
With 2NO monitor
contacts



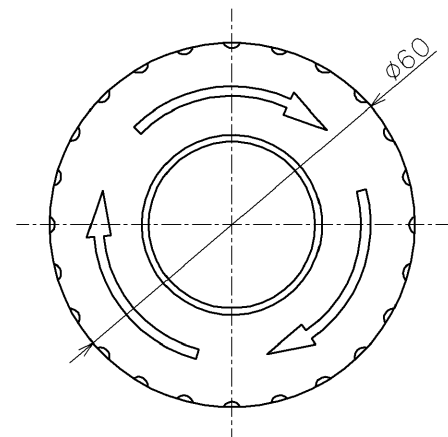
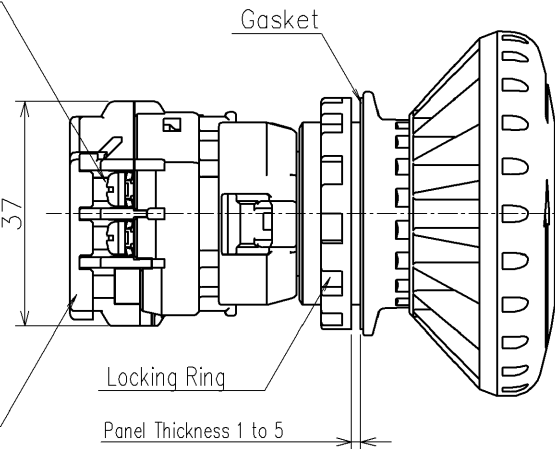
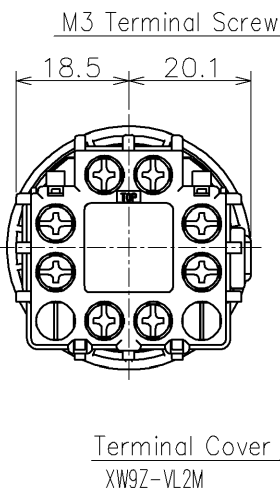
NC main contacts only



1NC: Terminals on right
2NC: Terminals on right and left
3NC: Terminals on right,left, and top



Panel Cut-Out



Product Name: XN SERIES EMERGENCY STOP SWITCHES

Type Number: XN1E-BV5□□M*

Approved by T.IWAMI

MAR.29,2022

Dim.: mm

Outside View

Checked by Y.KAWASE

MAR.29,2022

Drawing No. MA4-A05990

Drawn by T.MATSUMOTO

MAR.29,2022