

Operation Type : Pushlock

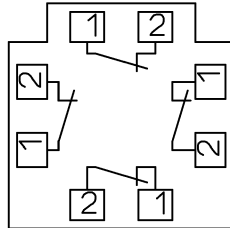
Reset : Turnreset

□□ (Contact Arrangement) : 01 (1b), 02 (2b), 03 (3b), 04 (4b), 11 (1a-1b)
12 (1a-2b), 13 (1a-3b), 22 (2a-2b)

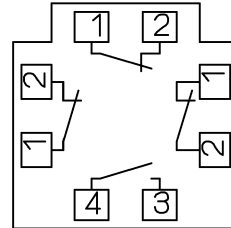
* (Button Color) : Bright Red (RH)

Contact Configuration (Bottom View)

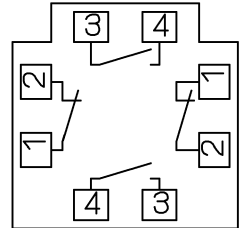
Main contact
(NC contact) only
TOP Marking Side



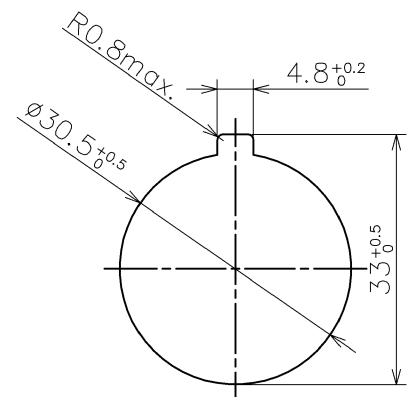
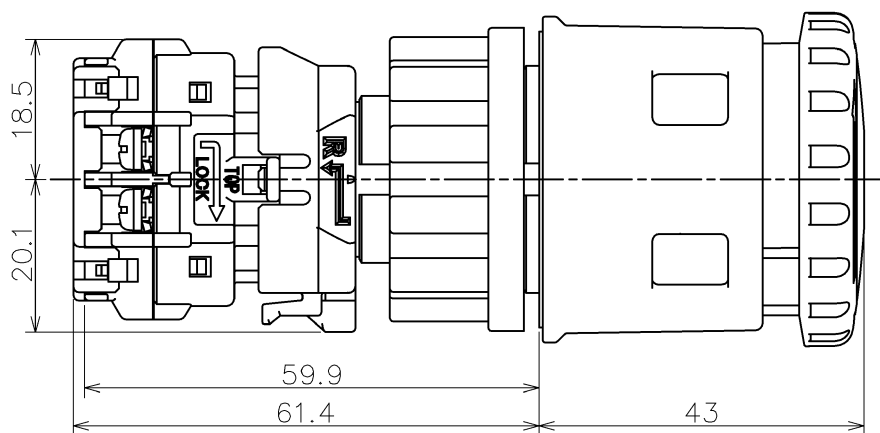
Monitor contact
(NO contact) included
TOP Marking Side



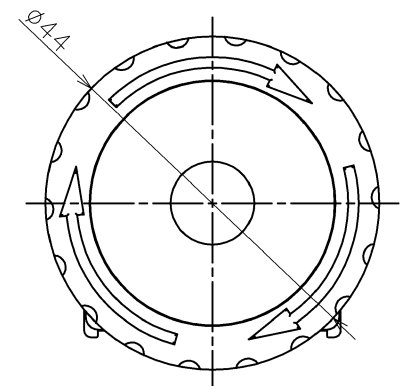
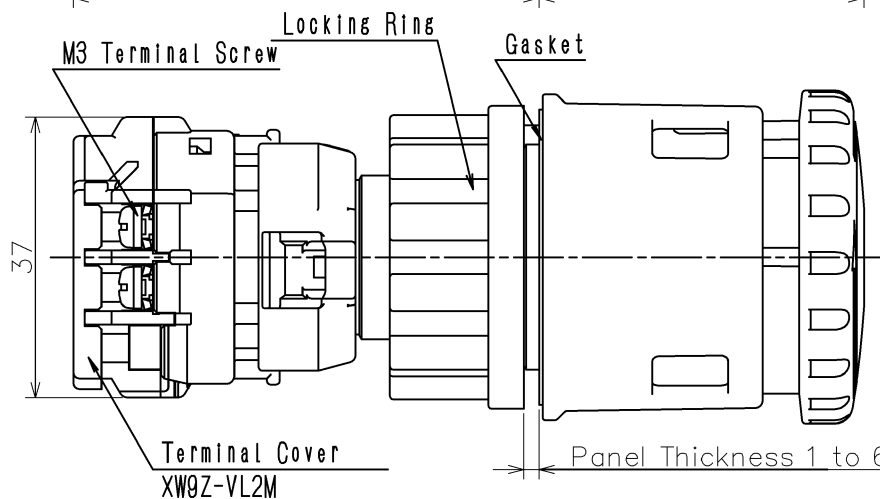
Monitor contact
(2NO contact) included
TOP Marking Side



1NC: Terminals on the right.
2NC: Terminals on the right and left.
3NC: Terminals on the right, left and top.



Panel Cut-Out



Product Name: XN SERIES EMERGENCY STOP SWITCHES

Type Number: XN4E-BL4□□M*

Approved by	S. Takahashi	Dec.04 ,2013
Checked by	H. Okamura	Dec.04 ,2013
Drawn by	T. Matsumoto	Dec.04 ,2013

Dim.: mm	Outside View
Drawing No.	MA4-A04459B