

Operation Type : Pushlock

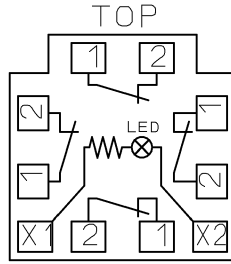
Reset : Turnreset

□□ (Contact Arrangement) : 01 (1b), 02 (2b), 03 (3b), 04 (4b), 11 (1a-1b)  
12 (1a-2b), 13 (1a-3b), 22 (2a-2b)

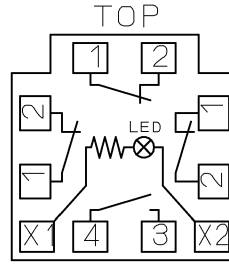
\* (Button Color) : R (Red)

Contact Configuration (Bottom View)

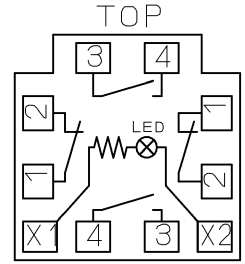
Main contact  
(NC contact) only  
TOP Marking Side



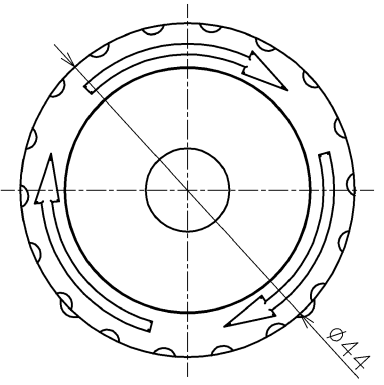
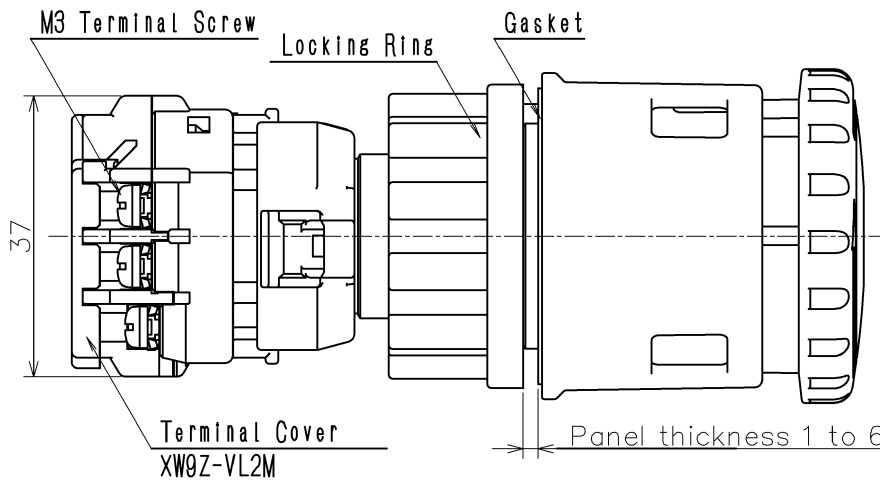
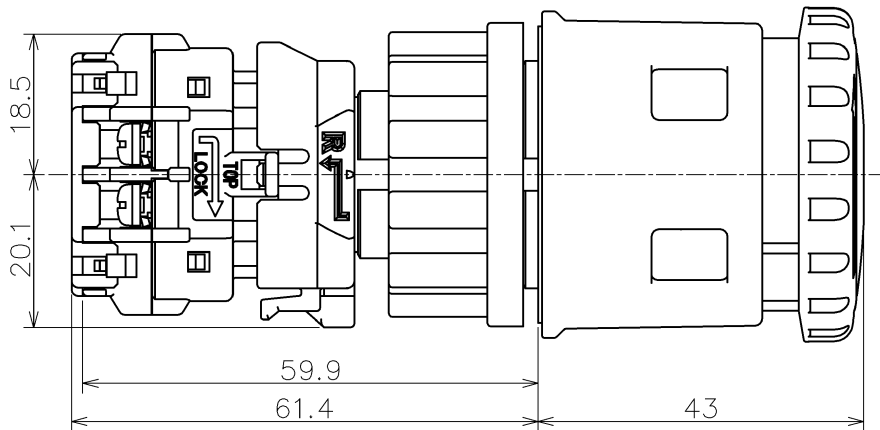
Monitor contact  
(NO contact) included  
TOP Marking Side



Monitor contact  
(2NO contact) included  
TOP Marking Side



1NC: Terminals on the right. 1NC: Terminals on the top.  
2NC: Terminals on the right and left. 2NC: Terminals on the right and left.  
3NC: Terminals on the right, left and top.



Product Name: XN SERIES EMERGENCY SWITCH

Type Number: XN4E-LL4□□Q4M\*

Approved by	S. TAKAHASHI	AUG.26,2014
Checked by	H. OKAMURA	AUG.26,2014
Drawn by	T. MATSUMOTO	AUG.26,2014

Dim.: mm	Outside View
Drawing No. MA4-A04773	