

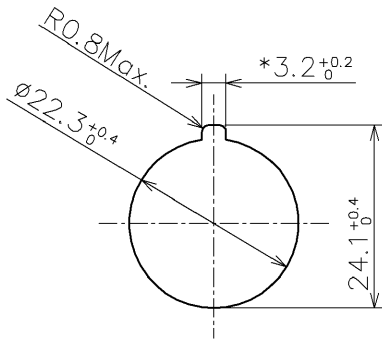
Operation Type: Pushlock

Reset: Turnreset or Pullreset

Contact Arrangement(□□): 3b(03), 1a2b(12)

Button Color: Red(R)

Degree Of Protection(Terminal): IP20



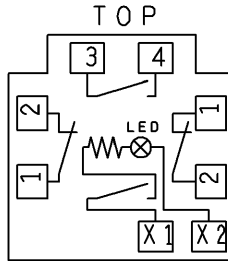
Panel Cut-Out

\*The 3.2<sup>+0.2</sup> recess is not necessary when neither nameplate nor anti-rotation ring is used.

Contact Configuration(Bottom View)

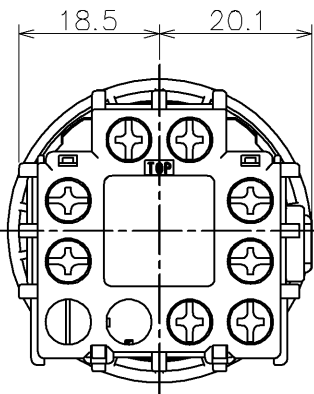
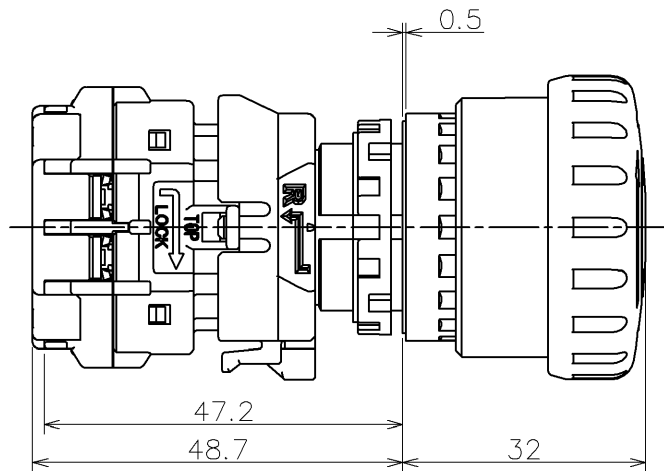
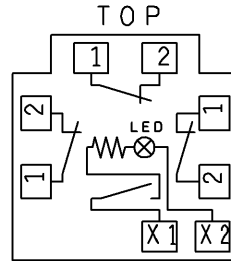
Monitor contact (1NC contact) included

TOP Marking Side

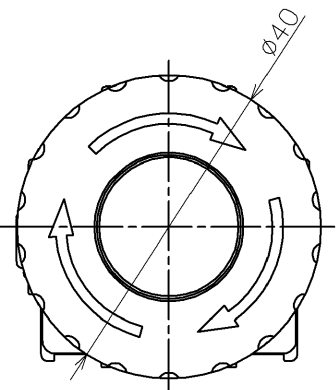
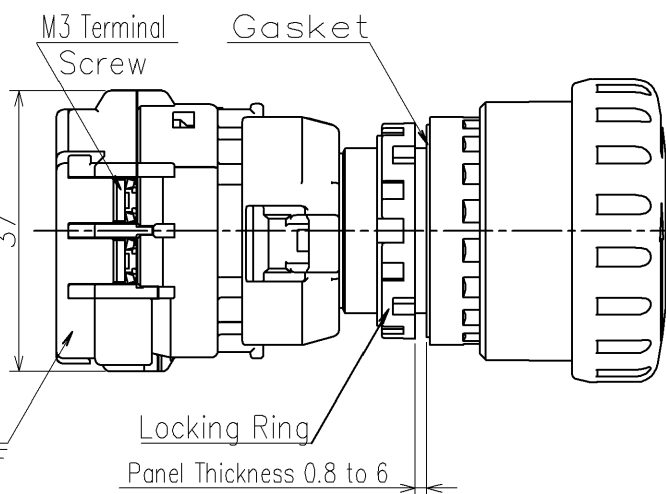


Main contact (NC contact) only.

TOP Marking Side



Terminal Cover  
XW9Z-VL2MF



Product Name: XW Series Emergency Stop Switch

Type Number: XW1E-TV4□□Q4MFR

Approved by M.FUJIMOTO

2023/1/25

Dim.: mm

Outside View

Checked by Y.HANAOKA

2023/1/25

Drawing No. MA4-A04907C

Drawn by T.MATSUMOTO

2023/1/25